

A  
B  
C  
D  
E  
F  
PS  
H  
I  
J  
K  
L  
M

# SECTION PS

## POWER STEERING SYSTEM

### CONTENTS

<b>PRECAUTIONS</b> .....	<b>3</b>	SHAFT, HOLE COVER, CLAMP, HOLE COVER SEAL, COLLAR AND UPPER JOINT .....	15
Precautions for Supplemental Restraint System (SRS) "AIR BAG" and "SEAT BELT PRE-TENSIONER" .....	3	REMOVAL OF STEERING COLUMN ASSEMBLY .....	15
Precautions for Steering System .....	3	INSPECTION AFTER REMOVAL OF STEERING COLUMN ASSEMBLY .....	15
<b>PREPARATION</b> .....	<b>4</b>	INSTALLATION OF STEERING COLUMN ASSEMBLY .....	16
Special Service Tools (SST) .....	4	INSPECTION AFTER INSTALLATION OF STEERING COLUMN ASSEMBLY .....	16
Commercial Service Tools .....	5	Disassembly and Assembly .....	16
<b>NOISE, VIBRATION AND HARSHNESS (NVH)</b>		COMPONENT (WITHOUT AUTOMATIC DRIVE POSITIONER) .....	16
<b>TROUBLESHOOTING</b> .....	<b>6</b>	DISASSEMBLY .....	17
NVH Troubleshooting Chart .....	6	INSPECTION AFTER DISASSEMBLY .....	17
<b>POWER STEERING FLUID</b> .....	<b>7</b>	ASSEMBLY .....	17
Checking Fluid Level .....	7	INSPECTION AFTER ASSEMBLY .....	17
Checking Fluid Leakage .....	7	COMPONENT (WITH AUTOMATIC DRIVE POSITIONER) .....	18
Air Bleeding Hydraulic System .....	7	DISASSEMBLY .....	19
<b>STEERING WHEEL</b> .....	<b>9</b>	INSPECTION AFTER DISASSEMBLY .....	19
On-Vehicle Inspection and Service .....	9	ASSEMBLY .....	19
CHECKING CONDITION OF INSTALLATION .....	9	INSPECTION AFTER ASSEMBLY .....	19
CHECKING STEERING WHEEL PLAY .....	9	<b>POWER STEERING GEAR AND LINKAGE</b> .....	<b>20</b>
CHECKING NEUTRAL POSITION ON STEERING WHEEL .....	9	Removal and Installation .....	20
CHECKING STEERING WHEEL TURNING FORCE .....	9	REMOVAL .....	20
CHECKING FRONT WHEEL TURNING ANGLE .....	10	INSTALLATION .....	21
Removal and Installation .....	11	INSPECTION AFTER INSTALLATION .....	21
REMOVAL .....	11	<b>POWER STEERING GEAR</b> .....	<b>22</b>
INSTALLATION .....	11	Component .....	22
Disassembly and Assembly .....	12	Disassembly and Assembly .....	23
COMPONENTS .....	12	DISASSEMBLY .....	23
DISASSEMBLY .....	12	INSPECTION AFTER DISASSEMBLY .....	24
ASSEMBLY .....	13	ASSEMBLY .....	25
INSPECTION AFTER ASSEMBLY .....	13	<b>POWER STEERING OIL PUMP</b> .....	<b>31</b>
<b>STEERING COLUMN</b> .....	<b>14</b>	On-Vehicle Inspection and Service .....	31
Removal and Installation .....	14	CHECKING RELIEF OIL PRESSURE .....	31
COMPONENT .....	14	Removal and Installation .....	31
REMOVAL OF LOWER JOINT, LOWER SHAFT, HOLE COVER, CLAMP, HOLE COVER SEAL, COLLAR AND UPPER JOINT .....	14	REMOVAL .....	31
INSTALLATION OF LOWER JOINT, LOWER			

---

INSTALLATION .....	32	Component (AWD Models) .....	38
Disassembly and Assembly .....	32	Removal and Installation .....	39
INSPECTION BEFORE DISASSEMBLY .....	32	<b>SERVICE DATA AND SPECIFICATIONS (SDS) .....</b>	<b>40</b>
DISASSEMBLY .....	32	Steering Wheel .....	40
INSPECTION AFTER DISASSEMBLY .....	33	Steering Angle .....	40
ASSEMBLY .....	33	Steering Column .....	40
<b>HYDRAULIC LINE .....</b>	<b>36</b>	Steering Outer Socket and Inner Socket .....	40
Component (Except for 18 Inch Tire Models) .....	36	Steering Gear .....	41
Component (18 Inch Tire Models) .....	37	Oil Pump .....	41
		Steering Fluid .....	41

# PRECAUTIONS

## PRECAUTIONS

PFP:00001

### Precautions for Supplemental Restraint System (SRS) “AIR BAG” and “SEAT BELT PRE-TENSIONER”

AGS0001P

The Supplemental Restraint System such as “AIR BAG” and “SEAT BELT PRE-TENSIONER”, used along with a front seat belt, helps to reduce the risk or severity of injury to the driver and front passenger for certain types of collision. This system includes seat belt switch inputs and dual stage front air bag modules. The SRS system uses the seat belt switches to determine the front air bag deployment, and may only deploy one front air bag, depending on the severity of a collision and whether the front occupants are belted or unbelted. Information necessary to service the system safely is included in the SRS and SB section of this Service Manual.

#### **WARNING:**

- To avoid rendering the SRS inoperative, which could increase the risk of personal injury or death in the event of a collision which would result in air bag inflation, all maintenance must be performed by an authorized NISSAN/INFINITI dealer.
- Improper maintenance, including incorrect removal and installation of the SRS, can lead to personal injury caused by unintentional activation of the system. For removal of Spiral Cable and Air Bag Module, see the SRS section.
- Do not use electrical test equipment on any circuit related to the SRS unless instructed to in this Service Manual. SRS wiring harnesses can be identified by yellow and/or orange harnesses or harness connectors.

### Precautions for Steering System

AGS0001M

- Before disassembly, thoroughly clean the outside of the unit.
- Disassembly should be done in a clean work area. It is important to prevent the internal parts from becoming contaminated by dirt or other foreign matter.
- For easier and proper assembly, place disassembled parts in order on a parts rack.
- Use nylon cloth or paper towels to clean the parts; common shop rags can leave lint that might interfere with their operation.
- Before inspection or reassembly, carefully clean all parts in order on a parts.
- Before assembly, apply a coat of recommended Genuine NISSAN PSF or equivalent to hydraulic parts. Petroleum jelly may be applied to O-rings and seals. Do not use any grease.
- Replace all gaskets, seals and O-rings. Avoid damaging O-rings, seals and gaskets during installation. Perform functional tests whenever designated.

# PREPARATION

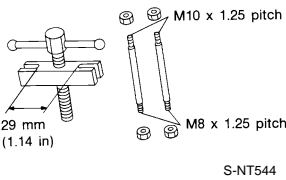
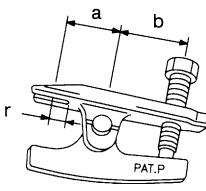
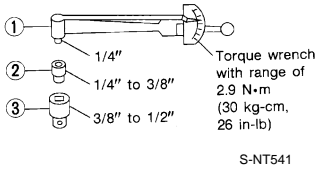
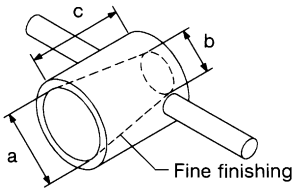
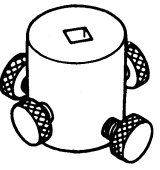
PFP:00002

## PREPARATION

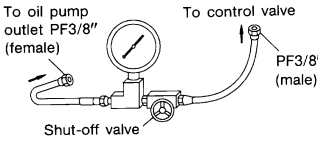
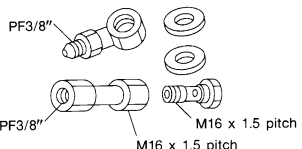
### Special Service Tools (SST)

AGS00003

The actual shapes of Kent-Moore tools may differ from those of special service tools illustrated here.

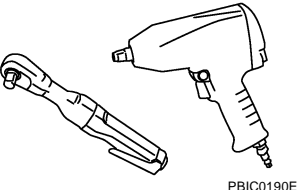
Tool number (Kent - Moore No.) Tool name	Description
ST27180001 (J-25726-A) Steering wheel puller	 <p style="text-align: center;">S-NT544</p>
HT2520000 (J25730-A) Ball joint remover a: 33 mm (1.3 in) b: 50 mm (1.97 in) r: 11.5 mm (0.45 in)	 <p style="text-align: center;">NT546</p>
ST3127S000 (J25765 - A) Preload gauge 1. GG9103000 (J25765 - A) Torque wrench 2. HT62940000 ( - ) Socket adapter 3. HT62900000 ( - ) Socket adapter	 <p style="text-align: center;">S-NT541</p>
KV48104400 ( - ) Teflon ring installation tool a: 50 mm (1.97 in) dia. b: 36 mm (1.42 in) dia. c: 100 mm (3.94 in)	 <p style="text-align: center;">S-NT550</p>
KV48103400 ( - ) Torque adapter	 <p style="text-align: center;">ZZA0824D</p>

# PREPARATION

Tool number (Kent - Moore No.) Tool name	Description	
KV48103500 (J26357) Pressure gauge	 <p style="text-align: center;">NT547</p>	A B C
KV48102500 (J33914) Pressure gauge adapter	 <p style="text-align: center;">NT542</p>	D E F

## Commercial Service Tools

AGS0001Q

Tool name	Description	
Power tool	 <p style="text-align: center;">PBIC0190E</p>	<div style="background-color: black; color: white; padding: 5px; font-weight: bold;">PS</div> H I J K L M

# NOISE, VIBRATION AND HARSHNESS (NVH) TROUBLESHOOTING

## NOISE, VIBRATION AND HARSHNESS (NVH) TROUBLESHOOTING

PFP:00003

### NVH Troubleshooting Chart

AGS00005

Use chart below to help you find the cause of the symptom. If necessary, repair or replace these parts.

Symptom		STEERING	Possible cause and SUSPECTED PARTS													Reference page										
			Fluid level	Air bleeding from hydraulic system	Outer socket ball joint swing torque	Outer socket ball joint rotating torque	Outer socket ball joint end play	Steering fluid leakage	Steering wheel play	Drive belt looseness	Improper steering wheel	Improper installation or looseness of tilt lock lever	Mounting rubber deterioration	Steering column deformation or damage	Improper installation or looseness of steering column		Steering linkage looseness	PROPELLER SHAFT	DIFFERENTIAL	AXLE AND SUSPENSION	TIRES	ROAD WHEEL	DRIVE SHAFT	BRAKES		
Noise	STEERING	Noise	x	x	x	x	x	x	x	x	x	x	x	x	x	x	x	x	x	x	x	x	x	x	PS-7	
		Shake																								PS-7
		Vibration																								PS-24
		Shimmy																								PS-24
		Judder																								PS-7
Shake	STEERING	Noise																							PS-9	
		Shake																								EM-15
		Vibration																								PS-9
		Shimmy																								PS-16, PS-18
		Judder																								PS-20
Vibration	STEERING	Noise																								PS-15
		Shake																								PS-14
		Vibration																								PS-23
		Shimmy																								NVH in PR section
		Judder																								NVH in RFD section
Shimmy	STEERING	Noise																								NVH in FAX, RAX, FSU, RSU section
		Shake																								NVH in WT section
		Vibration																								NVH in WT section
		Shimmy																								NVH in RAX section
		Judder																								NVH in BR section

x: Applicable

# POWER STEERING FLUID

## POWER STEERING FLUID

PFP:KLF20

### Checking Fluid Level

AGS00006

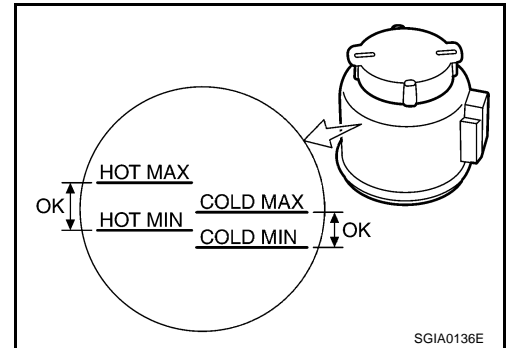
- Stop engine before performing a fluid level check.
- Ensure that fluid level is between the MAX range and MIN level.
- Because fluid level differs within the HOT range and the COLD range, check it carefully.

**HOT** : Fluid temperatures from 50 to 80°C (122 to 176°F)

**COLD** : Fluid temperatures from 0 to 30°C (32 to 86°F)

#### CAUTION:

- Do not overfill the MAX level.
- Do not reuse any used power steering fluid.
- Recommended fluid is Genuine NISSAN PSF or equivalent.



### Checking Fluid Leakage

AGS00007

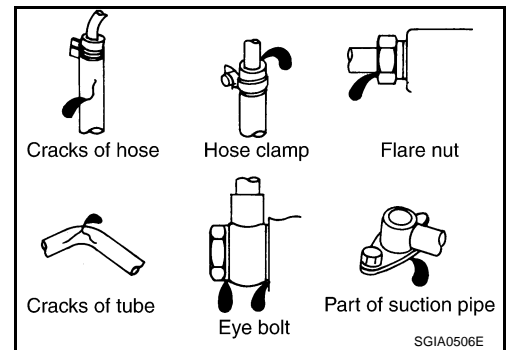
Check the hydraulic piping lines for improper attachment and for leaks, cracks, damage, loose connections, chafing or deterioration.

1. Run engine until fluid temperature reaches 50 to 80° C (122 to 176°F) in reservoir tank. Keep engine speed idle.
2. Turn steering wheel right-to-left several times.
3. Hold steering wheel at each "lock" position for five seconds to check fluid leakage.

#### CAUTION:

**Do not hold steering wheel in a locked position for more than 10 seconds. (There is the possibility that oil pump may be damaged.)**

4. If fluid leakage at connections is noticed, then loosen flare nut and then retighten. Do not over tighten connector as this can damage O-ring, washer and connector.
5. If fluid leakage from oil pump is noticed, check oil pump. Refer to [PS-31, "On-Vehicle Inspection and Service"](#).
6. Check steering gear boots for accumulation of fluid indicating a from steering gear.



### Air Bleeding Hydraulic System

AGS00008

Incomplete air bleeding causes the following. When this happens, bleed air again.

- Generation of air bubbles in reservoir tank.
- Generation of clicking noise in oil pump.
- Excessive buzzing in oil pump.

#### NOTE:

When vehicle is stationary or while steering wheel is being turned slowly, some noise may be heard from oil pump or gear. This noise is normal and does not affect any system.

1. Stop engine, and then turn steering wheel fully to right and left several times.

#### CAUTION:

**Do not allow steering fluid reservoir tank to go below the low-level line. Check tank frequently and add fluid as needed.**

2. Run engine at idle speed. Turn steering wheel fully to the right and then fully to the left, and keep for about three seconds. Then check whether a fluid leakage has occurred.
3. Repeat the 2nd procedure several times at about three seconds intervals.

#### CAUTION:

**Do not hold steering wheel in the locked position more than 10 seconds. (There is the possibility that oil pump may be damaged.)**

4. Check generation of air bubbles and cloud in fluid.

## POWER STEERING FLUID

---

5. If air bubbles and the cloud don't fade, stop engine, hold air bleeding until air bubbles and the cloud fade. Perform the 2nd and the 3rd procedures again.
6. Stop engine, check fluid level.



# STEERING WHEEL

## STEERING WHEEL

PFP:48430

### On-Vehicle Inspection and Service

AGS00009

#### CHECKING CONDITION OF INSTALLATION

- Check installation condition of steering gear assembly, front suspension, axle and steering column.
- Check if movement exists when steering wheel is moved up and down, to the left and right and to the axial direction.

**End play of the axle direction for steering wheel : 0 mm (0 in)**

- Check if the mounting bolts for steering gear assembly are looser not. Refer to [PS-20, "POWER STEERING GEAR AND LINKAGE"](#) .

#### CHECKING STEERING WHEEL PLAY

1. Set tires to the straight ahead, start engine, then turn steering wheel to the left and right lightly, and measure steering wheel movement on the outer circumference when steering wheel is turned up to the point where tires start moving.

**Steering wheel play on the outer circumference : 0 – 35 mm (0 – 1.38 in)**

#### CHECKING NEUTRAL POSITION ON STEERING WHEEL

- Check neutral position on steering wheel after confirming that front wheel alignment is correct. Refer to [FSU-7, "Wheel Alignment Inspection"](#) (2WD models), [FSU-24, "Wheel Alignment Inspection"](#) (AWD) models.
1. Set vehicle to the straight direction, check if steering wheel is in the neutral position.
  2. If it is not in the neutral position, remove steering wheel and reinstall it correctly.
  3. If the neutral position cannot adjust in the two teeth of steering gear assembly, loosen tie-rod lock nuts of steering outer sockets, then adjust tie-rods by the same amount in the opposite direction.

#### CHECKING STEERING WHEEL TURNING FORCE

1. Park vehicle on a level and dry surface, set parking brake.
2. Start engine.
3. Bring power steering fluid up to adequate operating temperature. [Make sure temperature of fluid is approximately 50 to 80°C (122 to 176°F).]

**Tires need to be inflated normal pressure.**

4. Check steering wheel turning force when steering wheel has been turned 360° from the neutral position.

**Steering wheel turning force:**

**36 N (3.7 kg, 8.0 lb) or less**

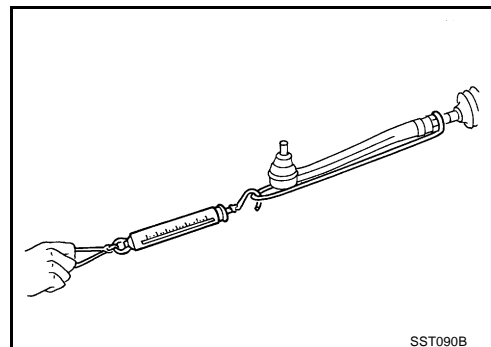
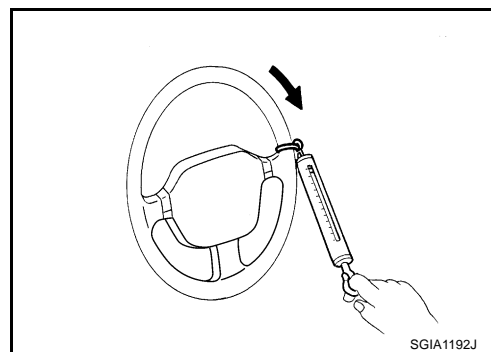
5. If steering wheel turning force is out of specification, check rack sliding force.
  - a. Disconnect lower shaft and steering knuckle from steering gear assembly.
  - b. Start and run engine at idle to make sure steering fluid has reached normal operating temperature.
  - c. While pulling outer socket slowly in  $\pm 11.5$  mm ( $\pm 0.453$  in) range from neutral position, make sure rack sliding force is within specification.

**Rack sliding force:**

**2WD: 171 – 234 N (17.4 – 23.9kg, 38 – 53 lb)**

**AWD: 167 – 230 N (17 – 23.5kg, 38 – 52 lb)**

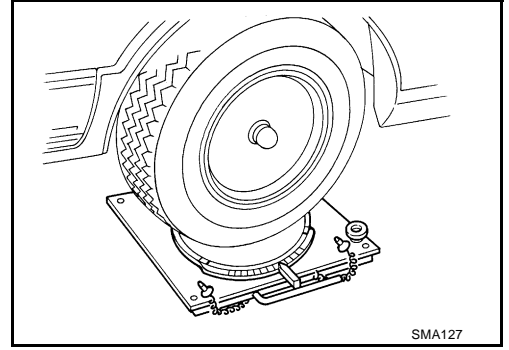
- d. If rack sliding force is not within specification, overhaul steering gear assembly.



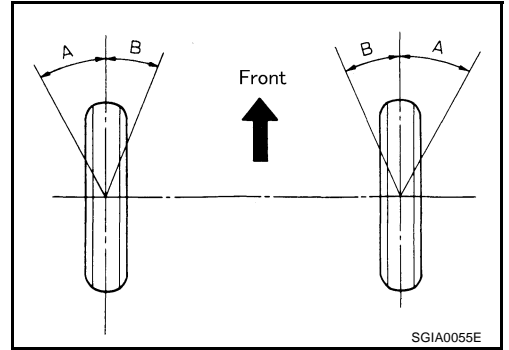
# STEERING WHEEL

## CHECKING FRONT WHEEL TURNING ANGLE

- Check front wheel turning angle after the toe-in inspection. Place front wheels on turning radius gauges and rear wheels on stands so that vehicle can be level. Check the maximum inner and outer wheel turning angles for LH and RH road wheels.

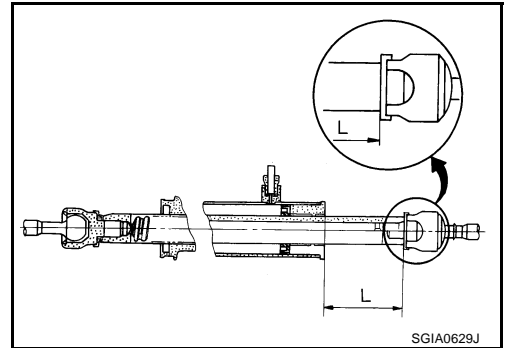


- Start engine and run at idle, turn steering wheel all the way right and left, measure the turning angle.



Drive type		2WD		AWD
Tire		215/55R17	235/45R18	215/55R17
Inner wheel (Angle: A)	Minimum	37° 30' (37.5°)	35° 35' (35.6°)	38° 00' (38.0°)
	Nominal	40° 30' (40.5°)	38° 35' (38.6°)	41° 00' (41.0°)
	Maximum	41° 30' (41.5°)	39° 35' (39.6°)	42° 00' (42.0°)
Outer wheel (Angle: B)		32° 30' (32.5°)	31° 00' (31.0°)	31° 40' (31.7°)

- If it is not within specification, measure the rack strokes (L).



Drive type		2WD		AWD
Tire		215/55R17	235/45R18	215/55R17
Rack stroke (L)		66.6 mm (2.62 in)	64.5 mm (2.54 in)	66.0 mm (2.6 in)

- If the rack stroke is outside of the specification, disassemble the steering gear to check the rack stroke.
- Turning angles are not adjustable. If any of the steering angles is not within specification, check following components for wear or damage.
  - Steering gear
  - Steering column
  - Front suspension components

# STEERING WHEEL

## Removal and Installation

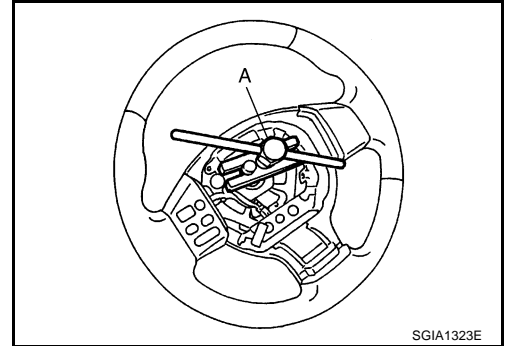
AGS0000A

### REMOVAL

#### NOTE:

When reconnecting spiral cable, fix cable with a tape so that fixing case and rotating part keep aligned. This will omit neutral position alignment procedure during spiral cable installation.

1. Set vehicle to the straight-ahead position.
2. Remove driver air bag module. Refer to [SRS-39, "Removal and Installation"](#).
3. Remove steering wheel lock nut after steering is locked.
4. Remove steering wheel with the steering wheel puller (SST: ST27180001 [J-25726-A] ) (A).



### INSTALLATION

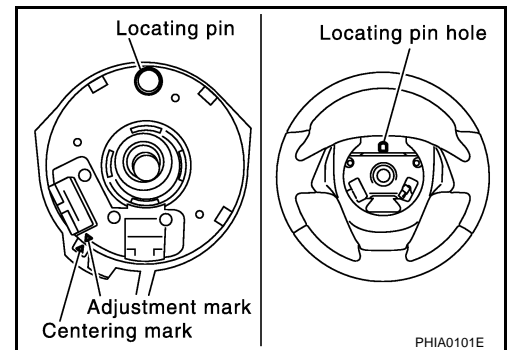
Reverse the removal procedure for installation attentive to the following operation.

#### NOTE:

Make sure that the spiral cable is in the neutral position. The neutral position is detected by turning left 2.5 revolutions from the right end position and ending with the locating pin at the top.

#### CAUTION:

**Do not run spiral cable idle needlessly. And do not turn it more than necessary (or it leads to disconnection of the cable).**

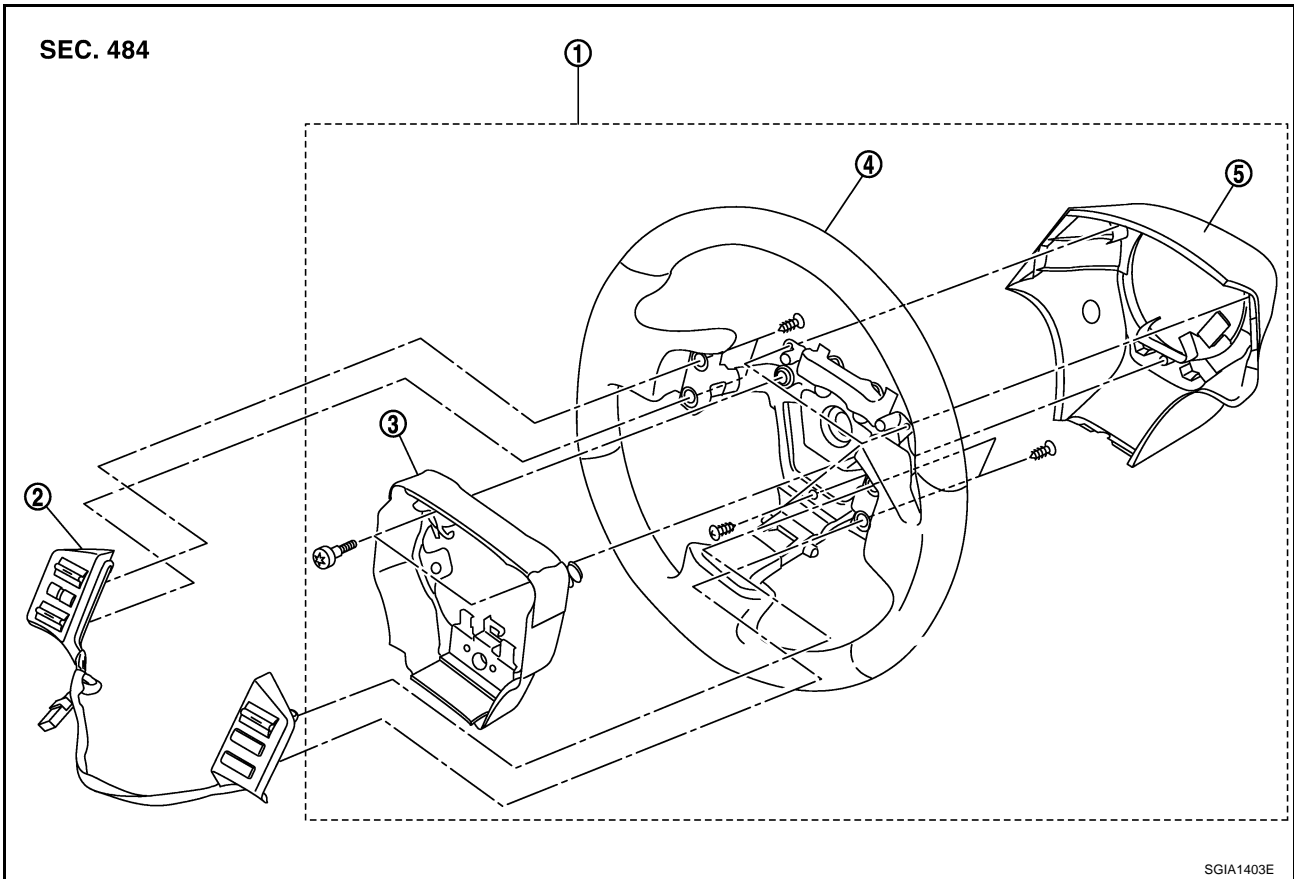


A  
B  
C  
D  
E  
F  
PS  
H  
I  
J  
K  
L  
M

# STEERING WHEEL

## Disassembly and Assembly COMPONENTS

AGS000QY

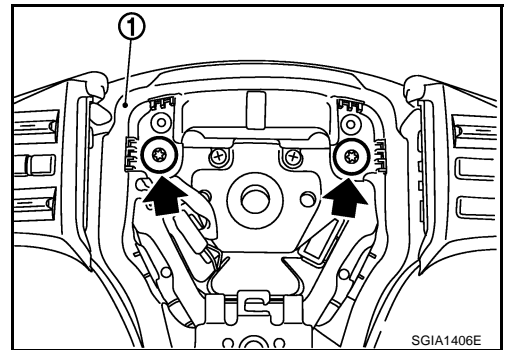


- |                            |                    |                    |
|----------------------------|--------------------|--------------------|
| 1. Steering wheel assembly | 2. Steering switch | 3. Horn plate kit* |
| 4. Steering wheel*         | 5. Body cover*     |                    |

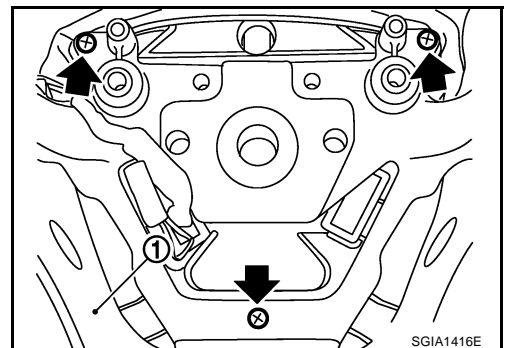
\*: Replace steering wheel assembly because this parts combined with steering wheel.

### DISASSEMBLY

1. Remove the TORX bolt, and then remove horn plate kit (1) from steering wheel.

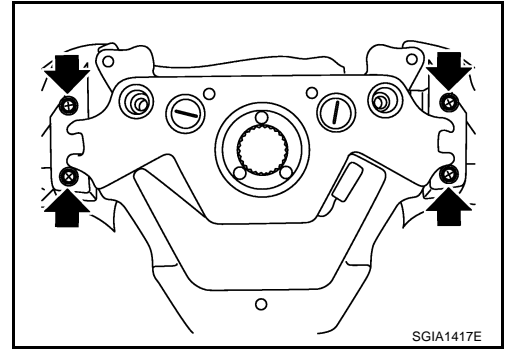


2. Remove fixing screws of body cover (1), and then remove body cover (1) from steering wheel.



# STEERING WHEEL

3. Remove fixing screws of steering switch, and then remove steering switch from steering wheel.



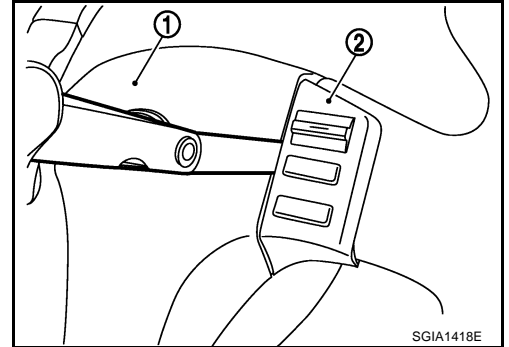
A  
B  
C  
D  
E  
F  
PS  
H  
I  
J  
K  
L  
M

## ASSEMBLY

Assembly is the reverse order of disassembly.

## INSPECTION AFTER ASSEMBLY

- Measure the gap between driver air bag module (1) and steering switch (2) by thickness gauge or other tool.  
**Gap standard : 0.6 - 2.0 mm (0.024 - 0.079 in)**
- If measured gap is out of standard, adjust switch location properly.



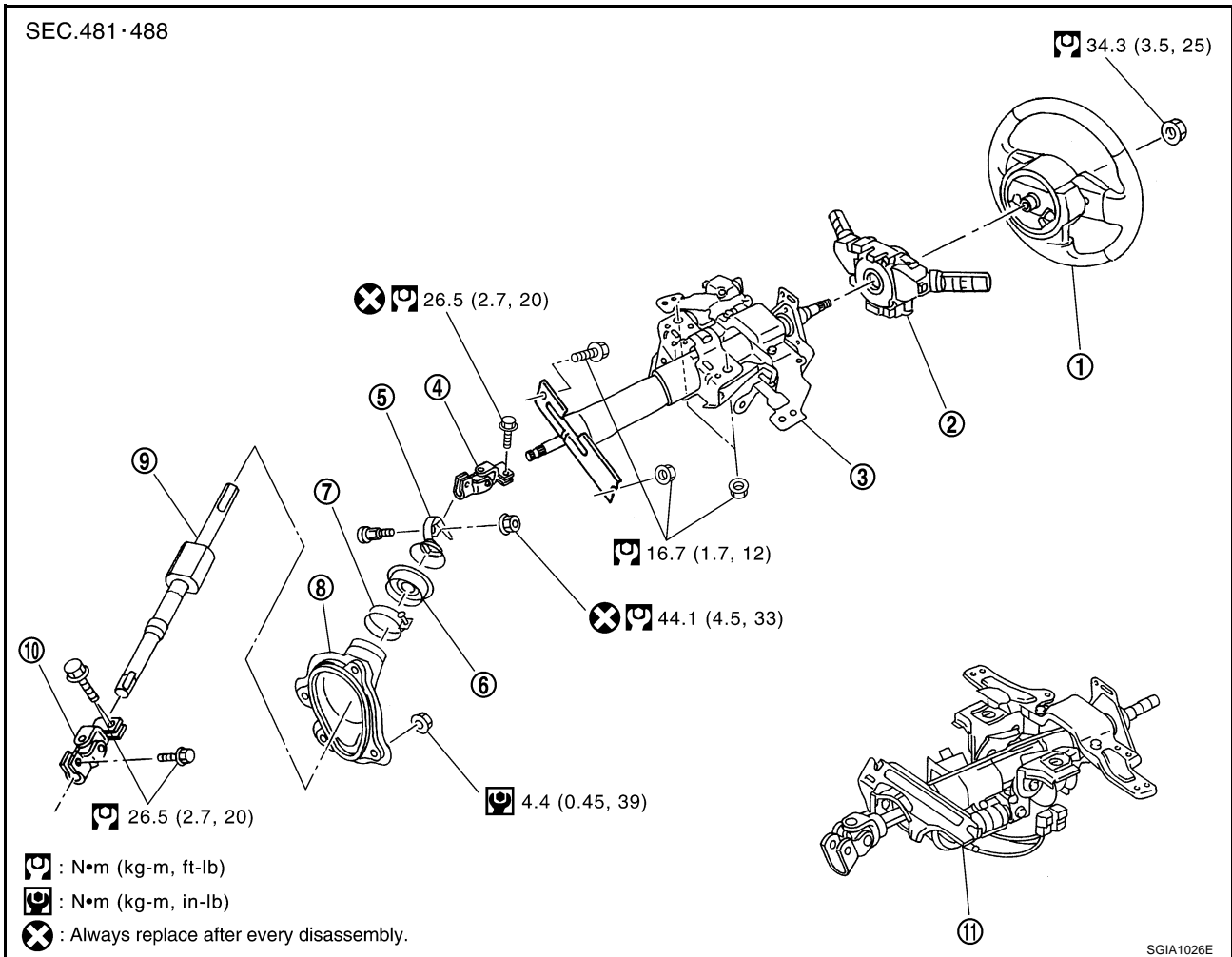
# STEERING COLUMN

## STEERING COLUMN

PFP:48810

### Removal and Installation COMPONENT

AGS0000B



- |                   |  |                             |
|-------------------|--|-----------------------------|
| 1. Steering wheel | 2. Combination switch & spiral cable                           | 3. Steering column assembly |
| 4. Upper joint    | 5. Collar  | 6. Hole cover seal          |
| 7. Clamp          | 8. Hole cover  | 9. Lower shaft              |
| 10. Lower joint   | 11. Steering column assembly (with Automatic Drive Positioner) |                             |

#### CAUTION:

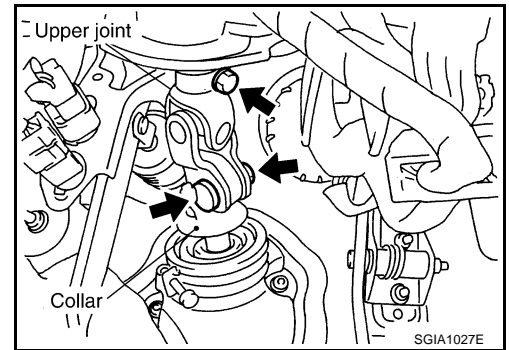
- Do not give axial impact to steering column assembly during removal and installation.
- Do not move steering gear assembly when removing steering column assembly.
- When removing steering column assembly, remove it at the minimum of telescopic.

#### REMOVAL OF LOWER JOINT, LOWER SHAFT, HOLE COVER, CLAMP, HOLE COVER SEAL, COLLAR AND UPPER JOINT

1. Set vehicle to the straight-ahead position.

# STEERING COLUMN

2. Remove fixing bolt and nut of upper joint, then remove upper joint, collar from steering column assembly and lower shaft.
3. Raise vehicle.
4. Remove fixing bolts of lower joint, then remove lower joint from steering gear assembly and lower shaft.
5. Remove lower shaft from vehicle.
6. Lowering vehicle.
7. Loosen clamp, then remove hole cover seal from hole cover.
8. Remove mounting bolts of hole cover, then remove clamp and hole cover from dash panel.



## INSTALLATION OF LOWER JOINT, LOWER SHAFT, HOLE COVER, CLAMP, HOLE COVER SEAL, COLLAR AND UPPER JOINT

- Installation is the reverse order of the removal. For tightening torque, refer to [PS-14, "COMPONENT"](#) .

### NOTE:

Do not reuse non-reusable parts.

- When installing lower joint to steering gear assembly, follow the procedure listed below.
  - Set rack of steering gear assembly in the neutral position.

### NOTE:

To get the neutral position of rack, turn sub-gear assembly and measure the distance of inner socket, and then measure the intermediate position of the distance.

- Install slit part of lower joint aligning with the projection of rear cover cap. Make sure that the slit part of lower joint is aligned with both the projection of rear cover cap and the marking position of sub-gear assembly.

## REMOVAL OF STEERING COLUMN ASSEMBLY

1. Set vehicle to the straight-ahead position.
2. Remove driver air bag module. Refer to [SRS-39, "DRIVER AIR BAG MODULE"](#) .
3. Remove steering wheel and steering column cover (upper and lower). Refer to [IP-10, "INSTRUMENT PANEL ASSEMBLY"](#) .
4. Remove steering column cover front lower and steering lock escutcheon. Refer to [IP-10, "INSTRUMENT PANEL ASSEMBLY"](#) .
5. Remove instrument driver lower panel. Refer to [IP-10, "INSTRUMENT PANEL ASSEMBLY"](#) .
6. Remove combination switch & spiral cable from steering column assembly. Refer to [SRS-41, "SPIRAL CABLE"](#) .
7. Remove knee protector lower. Refer to [IP-10, "INSTRUMENT PANEL ASSEMBLY"](#) .
8. Remove cluster lid A. Refer to [IP-10, "INSTRUMENT PANEL ASSEMBLY"](#) .
9. Remove key interlock cable. Refer to [AT-245, "KEY INTERLOCK CABLE"](#) .
10. Disconnect each switch connectors installed to steering column assembly, and then disconnect harness from steering column assembly.
11. Remove fixing bolt and nut of upper joint (upper side).
12. Remove mounting bolts and nut of steering column assembly, then remove steering column assembly from vehicle.

## INSPECTION AFTER REMOVAL OF STEERING COLUMN ASSEMBLY

- Check steering column assembly for damage or other malfunctions. Replace if there are.

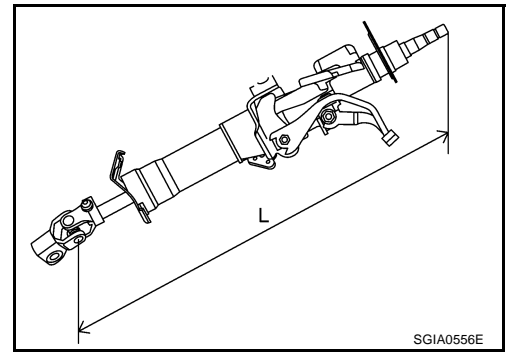
# STEERING COLUMN

- Measure the length "L" as shown in the figure if vehicle has been involved in a minor collision. Replace steering column assembly if outside the standard. (Listen to design for electrical)

**Steering column length "L" : 548 mm (21.57 in)**

- Measure steering column rotating torque using preload gauge. Replace steering column assembly if outside the standard.

**Rotating torque : 0.49 N·m (0.05 kg·m, 4 in·lb)**



## INSTALLATION OF STEERING COLUMN ASSEMBLY

Installation is the reverse order of removal. For tightening torque, refer to [PS-14, "COMPONENT"](#).

### NOTE:

Do not reuse non-reusable parts.

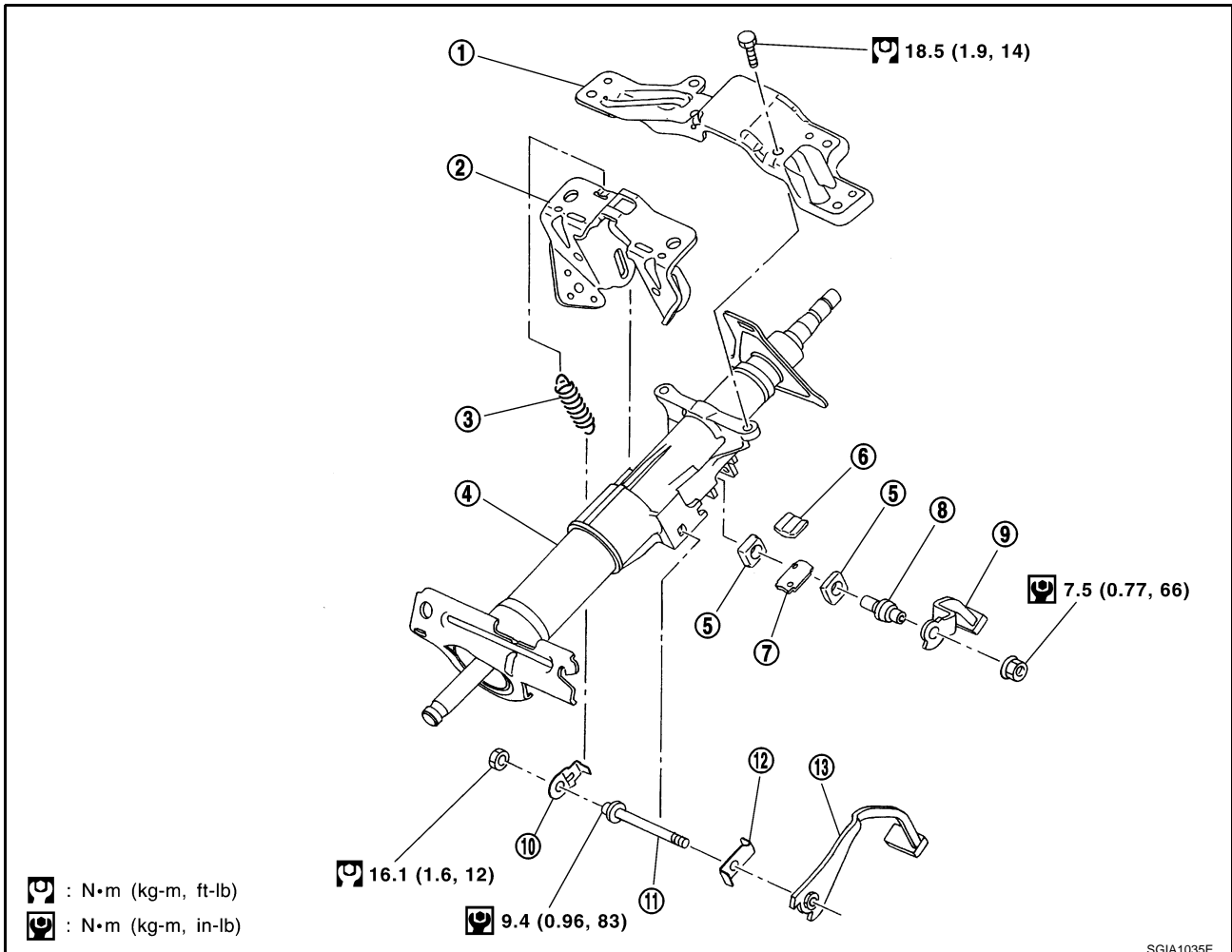
## INSPECTION AFTER INSTALLATION OF STEERING COLUMN ASSEMBLY

Make sure that steering wheel operates smoothly by turning several times from full left stop to full right stop.

## Disassembly and Assembly

### COMPONENT (WITHOUT AUTOMATIC DRIVE POSITIONER)

AGS0000C



- |                          |                                   |                          |
|--------------------------|-----------------------------------|--------------------------|
| 1. Meter bracket         | 2. Steering column mounting clamp | 3. Spring                |
| 4. Jacket tube assembly  | 5. Lock nut                       | 6. Telescopic lock block |
| 7. Telescopic lock guide | 8. Telescopic lock bolt           | 9. Telescopic lever      |
| 10. Adjust stopper       | 11. Steering adjust bolt          | 12. Tilt lever stopper   |
| 13. Tilt lever           |                                   |                          |

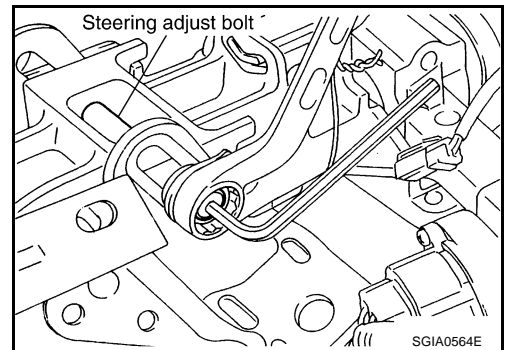


# STEERING COLUMN

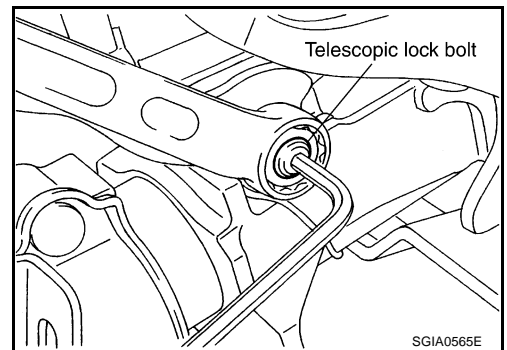
## DISASSEMBLY

Remove all parts from jacket tube assembly.

- When remove tilt lever, perform as shown in the figure.



- When remove telescopic lever, perform as shown in the figure.



## INSPECTION AFTER DISASSEMBLY

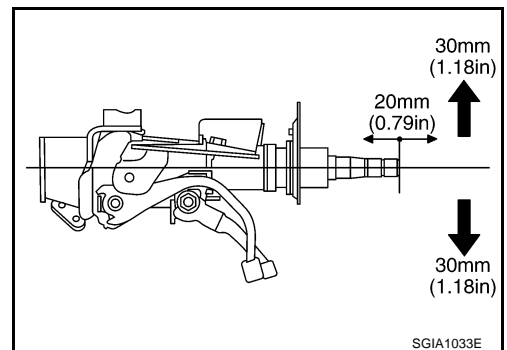
Check tilt and telescopic mechanism components for malfunction. Replace if there are.

## ASSEMBLY

Assemble is the reverse order of the disassembly. For tightening torque, refer to [PS-16, "COMPONENT \(WITHOUT AUTOMATIC DRIVE POSITIONER\)"](#) .

## INSPECTION AFTER ASSEMBLY

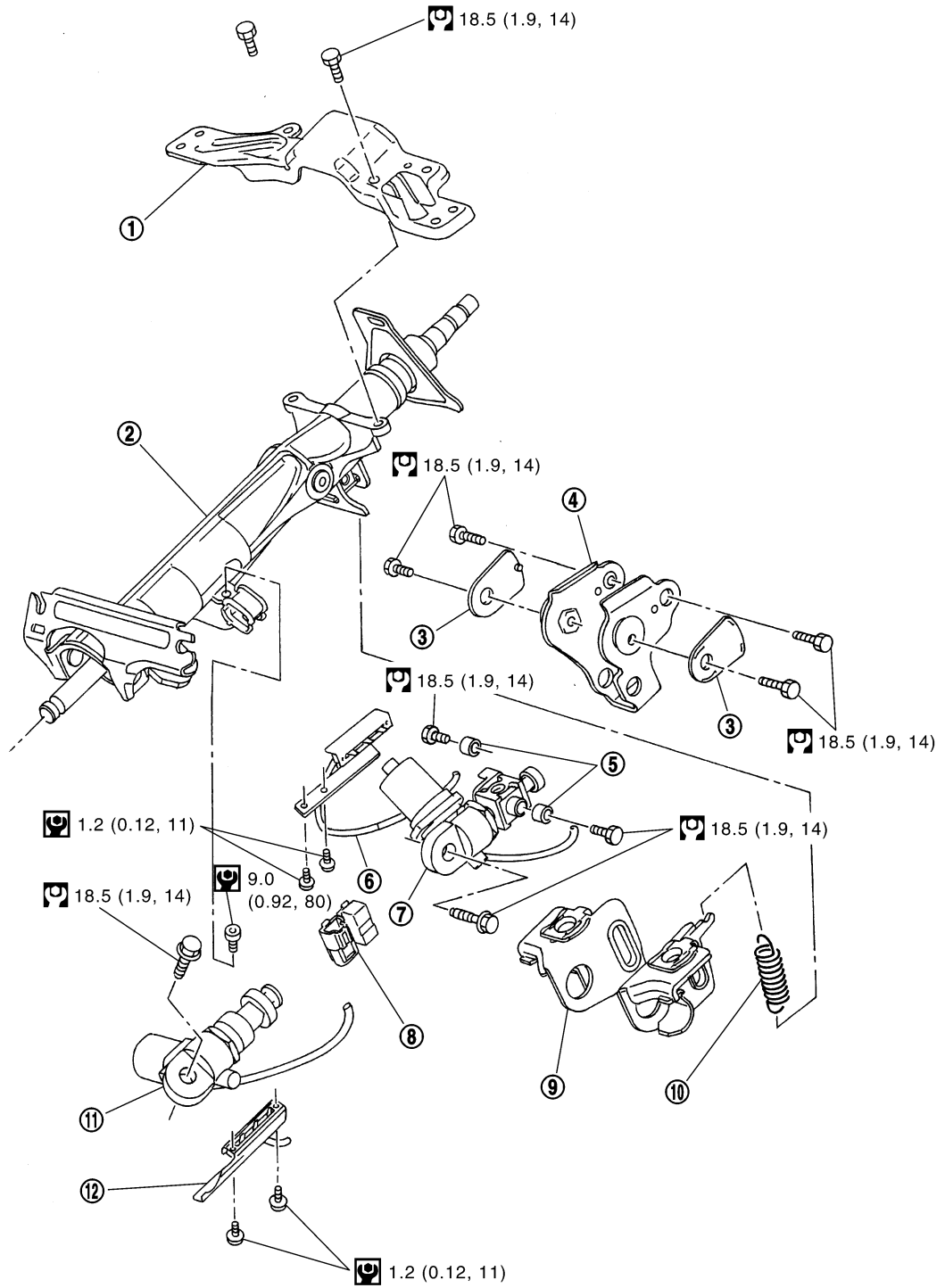
Check tilt and telescopic mechanism operating range.



A  
B  
C  
D  
E  
F  
PS  
H  
I  
J  
K  
L  
M

# STEERING COLUMN

## COMPONENT (WITH AUTOMATIC DRIVE POSITIONER)



: N•m (kg-m, ft-lb)  
 : N•m (kg-m, in-lb)

- 1. Meter bracket
- 4. Tilt link assembly

- 2. Jacket tube assembly
- 5. Collar

- 3. Bush spacer
- 6. Tilt sensor assembly

SGIA1034E

# STEERING COLUMN

- 7. Tilt unit assembly
- 10. Spring

- 8. Connector assembly
- 11. Telescopic unit assembly

- 9. Clamp
- 12. Telescopic sensor assembly

A

## DISASSEMBLY

Remove parts from jacket tube assembly. Refer to [PS-18, "COMPONENT \(WITH AUTOMATIC DRIVE POSITIONER\)"](#).

B

## INSPECTION AFTER DISASSEMBLY

Check tilt and telescopic mechanism components for malfunction. Replace if there are.

C

## ASSEMBLY

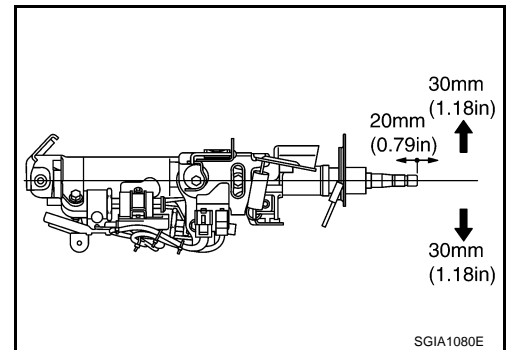
Assemble is the reverse order of the disassembly. For tightening torque, refer to [PS-18, "COMPONENT \(WITH AUTOMATIC DRIVE POSITIONER\)"](#).

D

## INSPECTION AFTER ASSEMBLY

Check tilt and telescopic mechanism operating range.

E



F

PS

H

I

J

K

L

M

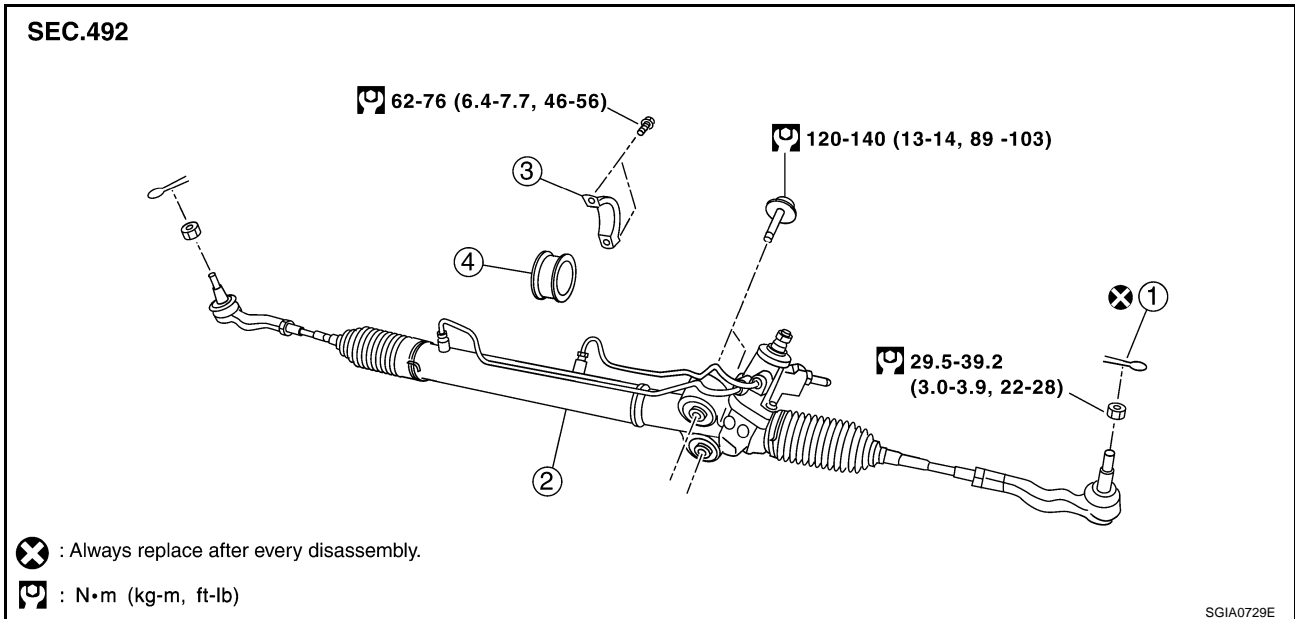
# POWER STEERING GEAR AND LINKAGE

PFP:49001

## POWER STEERING GEAR AND LINKAGE

### Removal and Installation

AGS0000E



⊗ : Always replace after every disassembly.

Ⓜ : N•m (kg-m, ft-lb)

1. Cotter pin
2. Steering gear assembly
3. Rack mounting bracket
4. Rack mounting insulator

### REMOVAL

#### CAUTION:

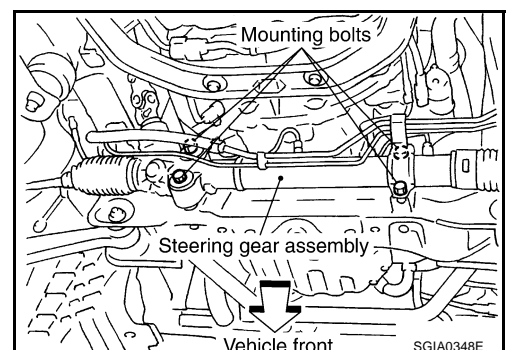
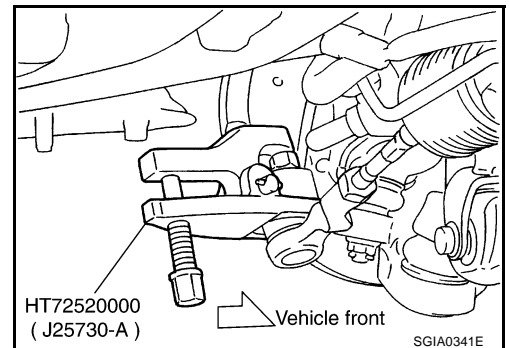
Spiral cable may snap due to steering operation if steering column is separated from steering gear assembly. Therefore fix steering wheel with a string to avoid turns.

1. Set wheels in the straight-ahead position.
2. Remove tires from vehicle with power tool.
3. Remove undercover with power tool.
4. Remove cotter pin at steering outer socket, then loosen mounting nut.
5. Use a ball joint remover (SST) to remove steering outer socket from steering knuckle. Be careful not to damage ball joint boot.

#### CAUTION:

Tighten temporarily mounting nut to prevent damage to threads and to prevent ball joint remover (SST) from coming off.

6. Remove pinch bolt of lower-side for lower joint.
7. Loosen pinch bolt of upper-side for lower joint.
8. Remove oil pipings (high pressure side and low pressure side) from steering gear assembly, then drain fluid from pipings.
9. Remove mounting bolts of steering gear assembly with power tool, and then remove rack mounting bracket, rack mounting insulator and steering gear assembly from vehicle.



# POWER STEERING GEAR AND LINKAGE

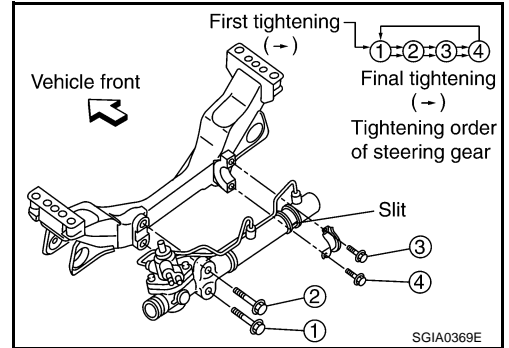
## INSTALLATION

- Refer to [PS-20, "Removal and Installation"](#) for tightening torque. Install in the reverse order of removal.

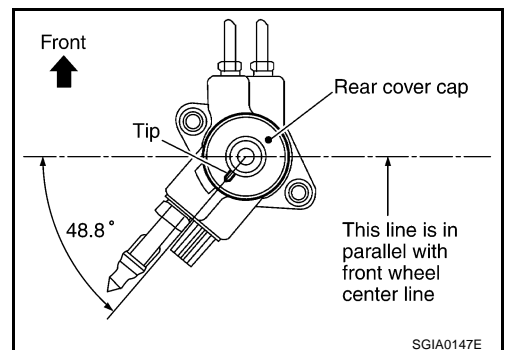
### NOTE:

Refer to component parts location and do not reuse non-reusable parts.

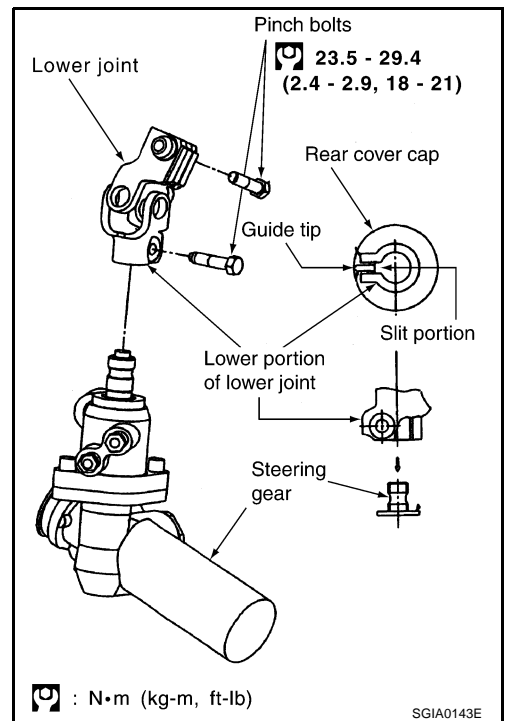
- Install the steering gear to the vehicle, refer to the tightening order shown in the figure.



- Confirm if rear cover cap on steering gear consists with steering gear when front wheels are set in the straight-ahead direction as shown in the figure.



- Install lower joint to steering gear, engage the guide tip on rear cover cap with slit portion in the lower portion of lower joint.
- After installation, bleed air from piping. Refer to [PS-7, "Air Bleeding Hydraulic System"](#).



## INSPECTION AFTER INSTALLATION

Check if steering wheel turns smoothly when it is turned several times fully to the end of the left and right.

# POWER STEERING GEAR

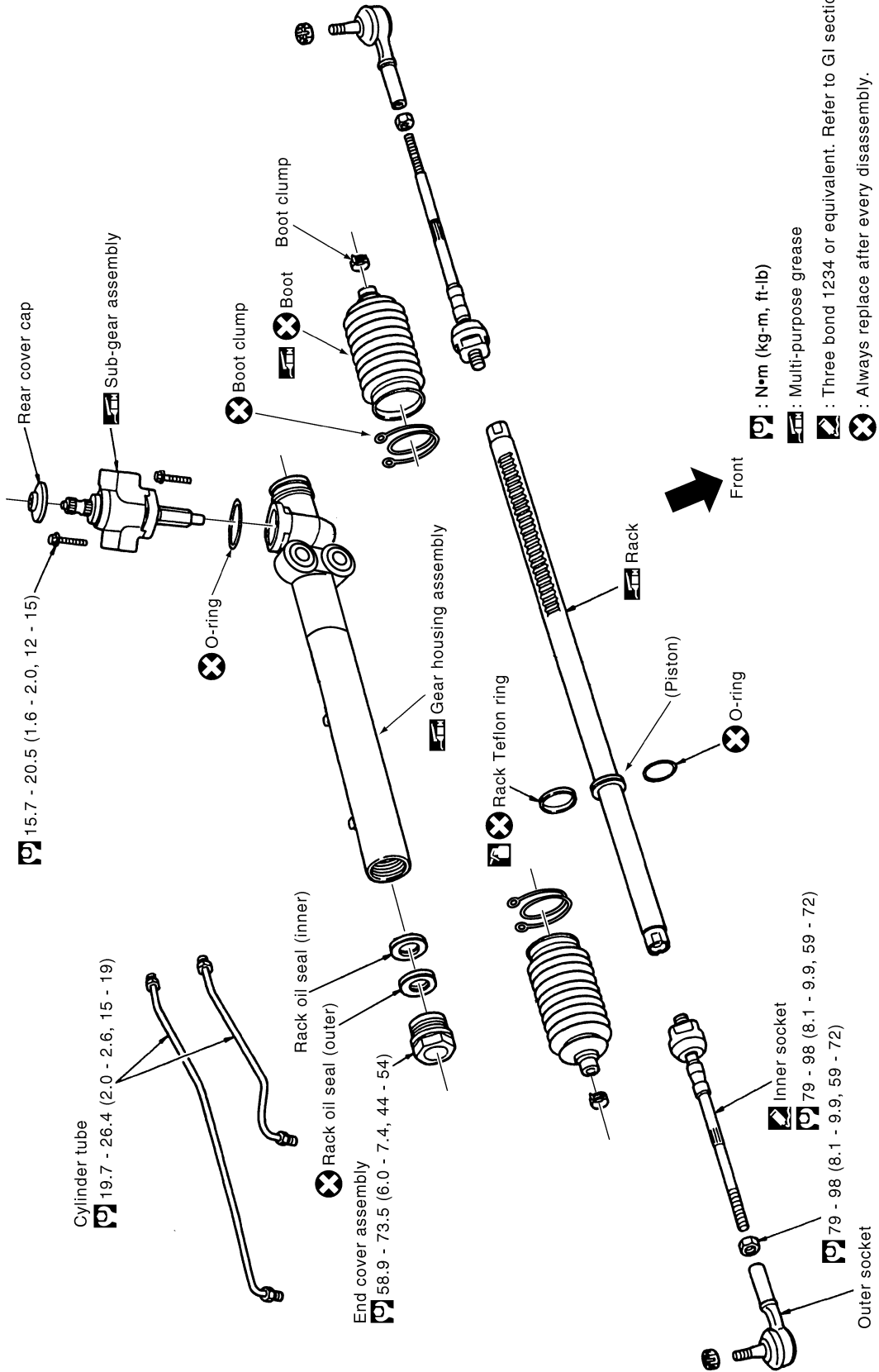
## POWER STEERING GEAR

PFP:49001

### Component

AGS0001R

SEC. 492



- : N•m (kg•m, ft•lb)
- : Multi-purpose grease
- : Three bond 1234 or equivalent. Refer to G1 section.
- : Always replace after every disassembly.
- : Apply Genuine Nissan PSF or equivalent

SGIA1401E

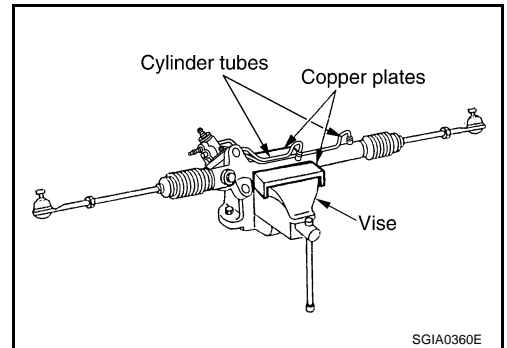
# POWER STEERING GEAR

## Disassembly and Assembly

AGS0001S

### CAUTION:

- Secure steering gear assembly with a vise, using copper plates or something similar to prevent it from being damaged. Do not grip cylinder in a vise.
- Before performing disassembly, clean steering gear assembly with kerosene. Be careful not to bring any kerosene into contact with the discharge and return port connectors.

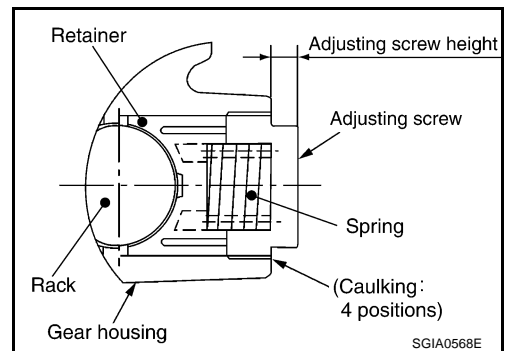


## DISASSEMBLY

1. Remove cylinder tubes from gear housing assembly.
2. Remove rear cover cap from sub-gear assembly.
3. Measure adjusting screw height from gear housing assembly, then loosen adjusting screw.

### CAUTION:

- Do not turn adjusting screw more than twice.
  - Replace steering gear assembly when adjusting screw is removed or more than twice.
4. Remove fixing bolts of sub-gear assembly and remove sub-gear assembly and O-ring from gear housing assembly.
  5. Loosen nut of outer socket, and remove outer socket.
  6. Remove boot clamps of the small diameter side and the large diameter side, then remove boot.



### CAUTION:

When removing boots, be careful not to damage inner socket and gear housing assembly. If they are damaged, change them to avoid oil leaks.

7. Drill out the clinching part of cylinder outer rim with a 3 mm (0.12 in) drill in 1.5 mm (0.059 in) depth.
8. Remove end cover assembly with a 42 mm (1.65 in) open head (suitable tool).

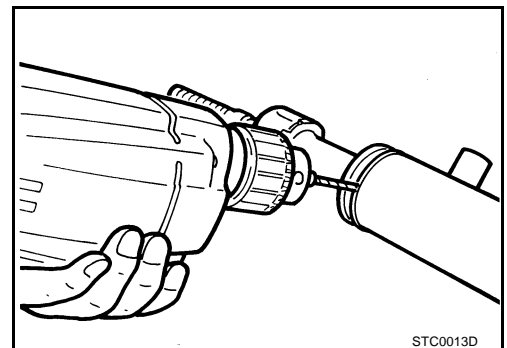
### CAUTION:

Be careful not to damage rack. If it is damaged, replace rack. Otherwise, oil leaks may result.

9. Pull rack assembly with rack oil seal out of gear housing assembly.

### CAUTION:

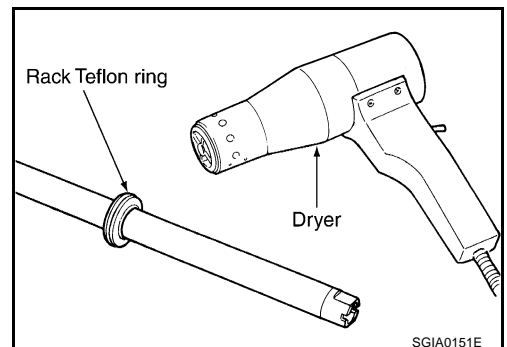
Be careful not to damage cylinder. If it is damaged, replace gear housing assembly. Otherwise, oil leaks may result.



10. Heat rack Teflon ring to approximately 40°C (104°F) with a dryer, then remove it and O-ring from rack.

### CAUTION:

Be careful not to damage rack. If it is damaged, change to a new one to avoid oil leaks.

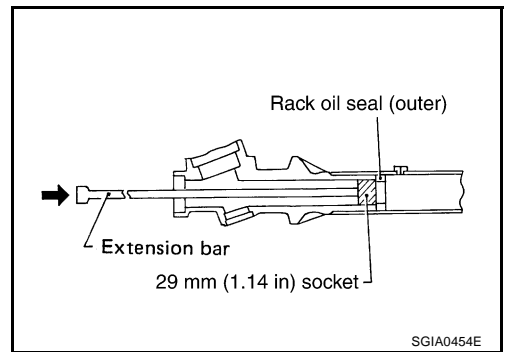


# POWER STEERING GEAR

11. Use a taped 29 mm (1.14 in) socket and an extension bar. Remove rack oil seal from gear housing assembly.

**CAUTION:**

**Be careful not to damage gear housing assembly and cylinder inner wall. If it is damaged, gear housing assembly must be replaced. Otherwise, oil leaks will result.**



## INSPECTION AFTER DISASSEMBLY

### Boot

Check boot for cracks and deformation. Replace it, if necessary.

### Rack

Check rack for damage and wear. Replace it, if necessary.

### Sub-Gear Assembly

- Check pinion gear for damage and wear. Replace it, if necessary.
- Check bearing while rotating it. Replace bearing if bearing ball race was dented, worn, or damaged.

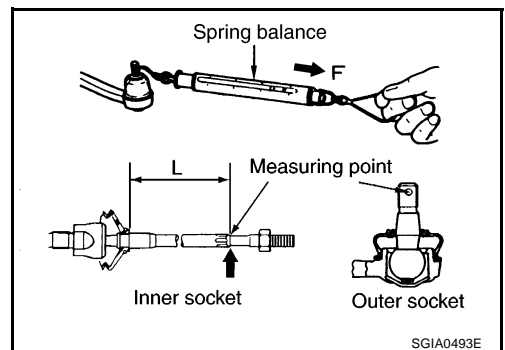
### Gear Housing Assembly

Check gear housing assembly for damage and scratches (inner wall). Replace it, if necessary.

### Outer Socket and Inner Socket

#### Swing Torque

- Hook a spring balance at the point shown in the figure. Confirm if the reading is within the specification. When ball stud and inner socket start moving the measured value must be within the specification. If the reading is outside the specification, replace socket.



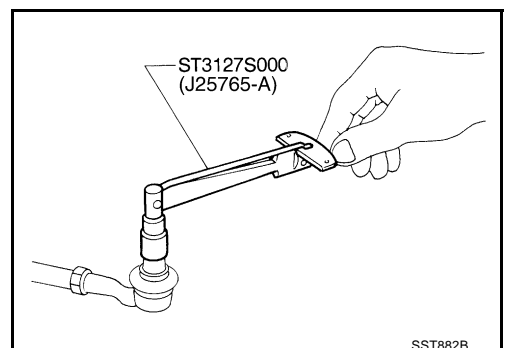
#### Specified value

Item	Outer socket	Inner socket
Measuring point	Cotter pin hole of stud	Shown as L: 48.5 mm (1.91 in)
Swing torque	0.3 - 2.9 N·m (0.03 - 0.29 kg·m, 3 - 25 in·lb)	1.0 - 7.8 N·m (0.11 - 0.79 kg·m, 9 - 69 in·lb)
Measuring value	4.42 - 42.7 N (0.5 - 4.4 kg, 1.0 - 10 lb)	10 - 78 N (1.0 - 8.0 kg, 2.0 - 18 lb)

#### Rotating torque

- Using a preload gauge (SST), check if reading is within the value specified below. If the value is outside the standard, replace outer sockets.

**Rotating torque 0.30 - 2.90 N·m (0.03 - 0.29 kg·m, 3 - 25 in·lb)**



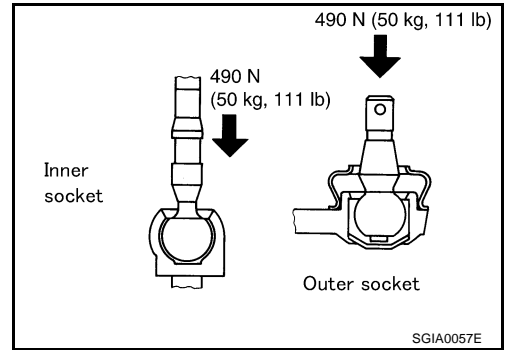


# POWER STEERING GEAR

## Axial End Play

- Apply load of 490 N (50 kg, 110 lb) to ball stud axially. Use a dial gauge to measure the amount of the movement that the stud makes. Check if the reading is within the specified below. If the value is outside the standard, replace outer and inner sockets.

Outer socket	0.5 mm (0.02 in) or less
Inner socket	0.2 mm (0.01 in) or less



## ASSEMBLY

- Apply Genuine NISSAN PSF or equivalent to O-ring. Put an O-ring into rack Teflon ring.

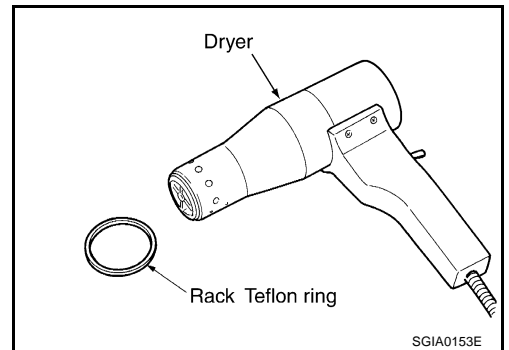
### NOTE:

Do not reuse O-ring.

- Heat rack Teflon ring to approximately 40°C (104°F) with a dryer. Assemble it to mounting groove of rack.

### NOTE:

Do not reuse rack Teflon ring.



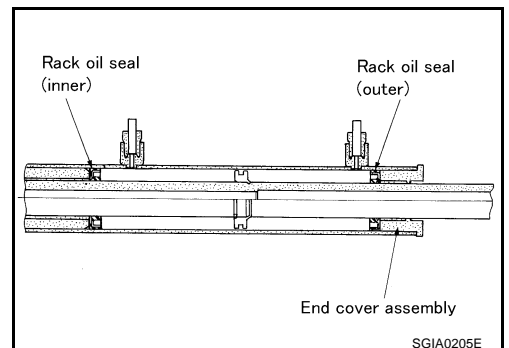
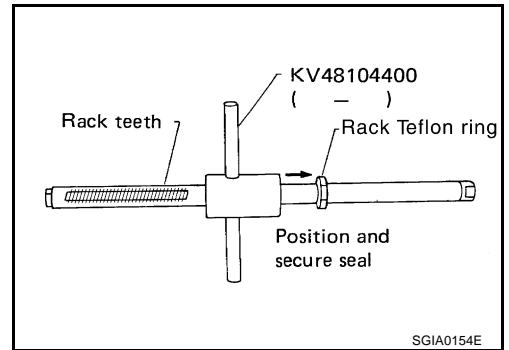
- To fit rack Teflon ring on rack, use rack Teflon ring installation tool (SST) from tooth side. Compress rim of ring with the tool.
- Apply Multi-purpose grease or equivalent to rack oil seal. Insert rack oil seal, then insert rack to gear housing assembly.

### NOTE:

Do not reuse rack oil seal.

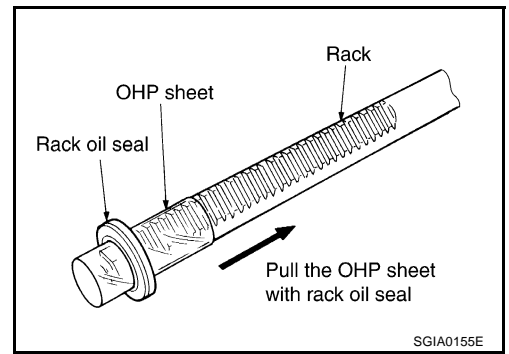
### CAUTION:

- When inserting rack, do not damage retainer sliding part. If it is damaged, replace gear housing assembly.
- When unstringing rack, do not damage cylinder inner wall. If it is damaged, it may cause oil leaks. Replace gear housing assembly.
- Attach rack oil seal. Both inner lip and outer lip should face each other.

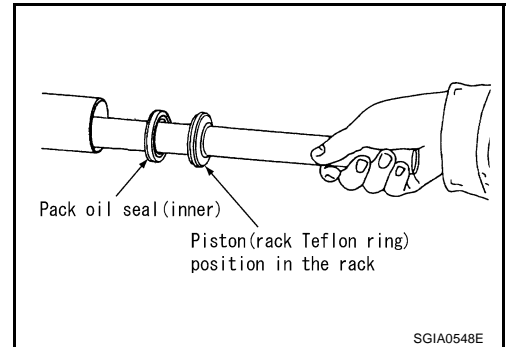


# POWER STEERING GEAR

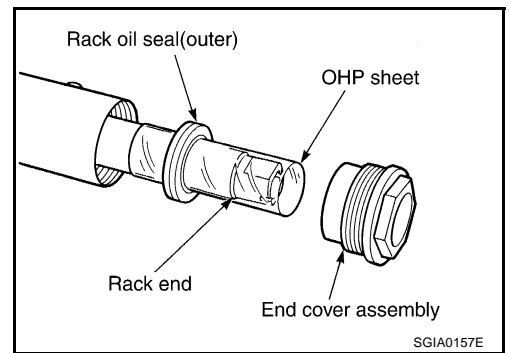
- a. To avoid damaging inner rack oil seal, wrap an OHP sheet [approximately. 70 mm (2.76 in) × 100 mm (3.94 in)] around rack tooth. Place oil seal on sheet. Then, pull oil seal along with OHP sheet until they pass the toothed section of rack, then remove it.



- b. Insert rack oil seal (inner) to piston (rack Teflon ring) position and push retainer to adjust screw side with fingers lightly, and then make rack move in gear housing assembly, install rack oil seal (inner) to fit in with gear housing assembly.



- c. When installing outer rack oil seal, cover the end of rack with an OHP sheet [70 mm (2.76 in) × 100 mm (3.94 in)]. It will avoid damaging rack oil seal. Then place oil seal on sheet. Pull rack oil seal along with OHP sheet until they pass rack end. Then remove OHP sheet.

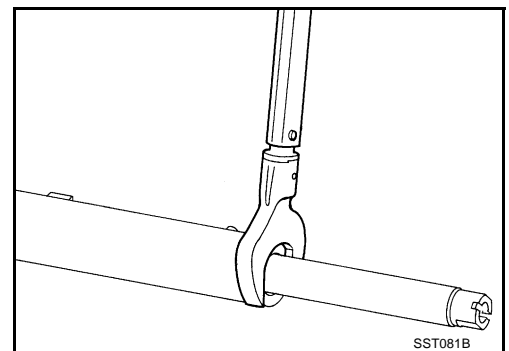


- d. Install end cover assembly to rack, move it to gear housing assembly.

5. Using a 42 mm (1.65 in) open head (suitable tool), tighten end cover assembly at the specified torque.

**CAUTION:**

**Do not damage rack surface. If it is damaged, it may cause oil leaks. Replace rack assembly.**

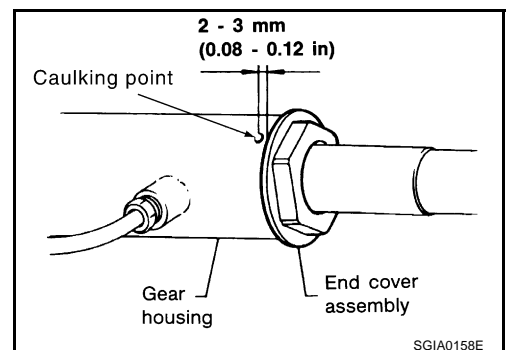


6. After tightening end cover assembly, caulk cylinder at one point as shown in the figure using a punch. This will prevent end cover from getting loose.

7. Apply Genuine NISSAN PSF or equivalent to O-ring. Install O-ring to gear housing assembly.

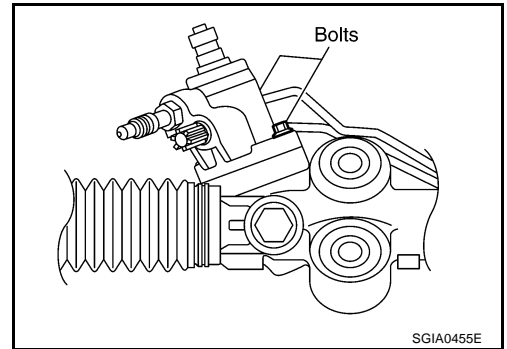
**NOTE:**

Do not reuse O-ring.

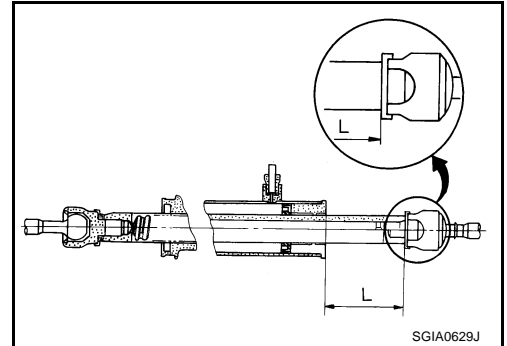


# POWER STEERING GEAR

8. Install gear sub-assembly to gear housing assembly.

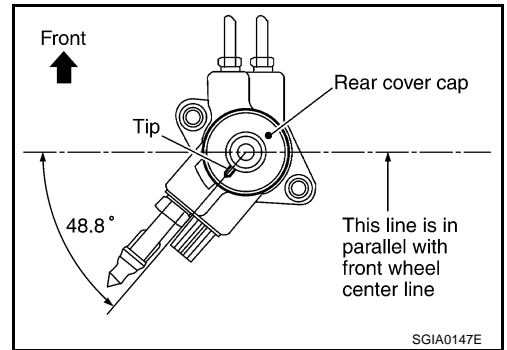


9. Decide neutral position of rack gear.



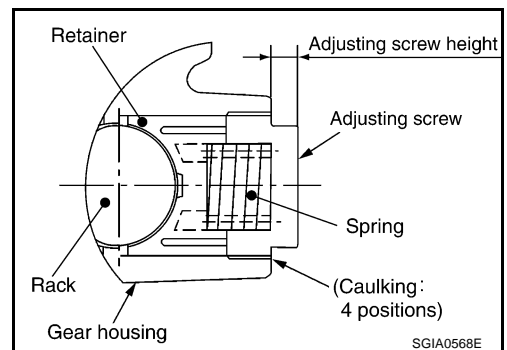
Drive type	2WD		AWD
Tire	215/55R17	235/45R18	215/55R17
Rack stroke (L)	66.6 mm (2.62 in)	64.5 mm (2.54 in)	66.0 mm (2.6 in)

10. Install rear cover cap to the sub-gear assembly, holding relation between projection part (Tip) of rear cover on the sub-gear assembly and the line that is in parallel with front wheel center line as shown in the figure.



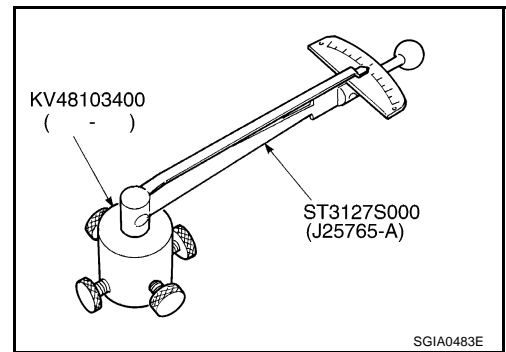
11. Apply thread locking adhesive (Three Bound TB1111B or equivalent) to the thread of adjusting screw to the adjusting screw height from gear housing assembly. The adjusting screw height is the same as it was measured in the overhaul in advance.

12. Rotate pinion ten times whole range of rack so that parts get to fit with each other.



# POWER STEERING GEAR

13. Measure pinion rotating torque within from  $-180^\circ$  to  $+180^\circ$  make preload gauge (SST) and torque adapter (SST) in rack neutral position, then hold preload gauge (SST) at maximum torque.
14. After loosening adjusting screw once, tighten it again with torque of  $4.9 - 5.9 \text{ N}\cdot\text{m}$  ( $0.50 - 0.60 \text{ kg}\cdot\text{m}$ ,  $44 - 52 \text{ in}\cdot\text{lb}$ ). After that loosen it within from  $20^\circ$  to  $40^\circ$ .



15. Measure pinion rotating torque with torque adapter (SST) and preload gauge (SST), then confirm whether its reading is within the specified value. If the reading is not within the specified value, readjust screw angle with adjusting screw. Change gear assembly to new one, if the reading is still not within the specified value or the rotating torque of adjusting screw is less than  $5 \text{ N}\cdot\text{m}$  ( $0.51 \text{ kg}\cdot\text{m}$ ,  $44 \text{ in}\cdot\text{lb}$ )

### Pinion rotation torque:

**Around neutral position (within  $\pm 100^\circ$ )**

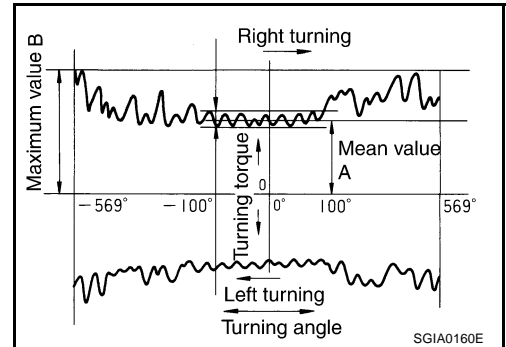
**Average "A":**

**$0.8 - 2.0 \text{ N}\cdot\text{m}$  ( $0.09 - 0.20 \text{ kg}\cdot\text{m}$ ,  $7 - 17 \text{ in}\cdot\text{lb}$ )**

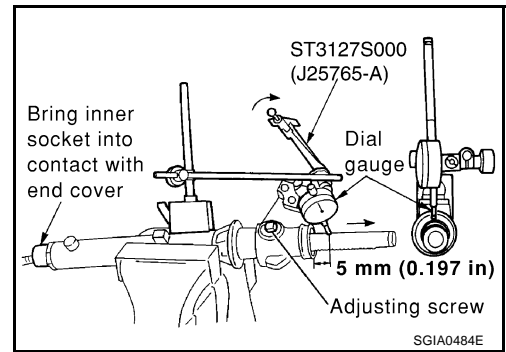
**Other than above (more than  $\pm 100^\circ$ )**

**Maximum variation "B":**

**$2.3 \text{ N}\cdot\text{m}$  ( $0.23 \text{ kg}\cdot\text{m}$ ,  $20 \text{ in}\cdot\text{lb}$ )**



16. Turn pinion fully to the end of the left with outer socket to rack.
17. Set dial gauge to rack as shown in the figure. Measure vertical movement of rack when pinion is turned counterclockwise with torque of  $19.6 \text{ N}\cdot\text{m}$  ( $2.0 \text{ kg}\cdot\text{m}$ ,  $14 \text{ ft}\cdot\text{lb}$ ). Check reading is within the specification. If reading is outside of the specification, readjust screw angle with adjusting screw. If reading is till out side of specification, or if the rotating torque of adjusting screw is less than  $5 \text{ N}\cdot\text{m}$  ( $0.51 \text{ kg}\cdot\text{m}$ ,  $44 \text{ in}\cdot\text{lb}$ ), replace steering gear assembly.

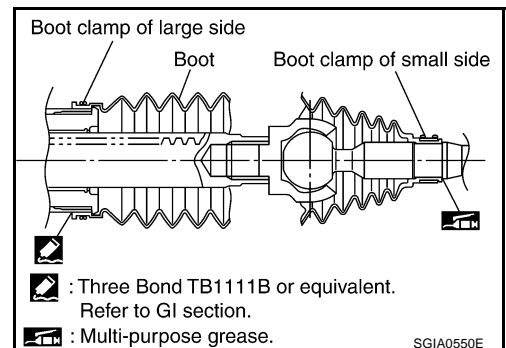


Amount of vertical movement with rack	Less than $0.265 \text{ mm}$ ( $0.01 \text{ in}$ )	
Measuring point	Axial direction	$5 \text{ mm}$ ( $0.2 \text{ in}$ ) away from end of gear hosing assembly
	Radius direction of rack	Shaft direction of adjusting screw

18. Install large-diameter side of boot to gear hosing assembly.
19. Install small-diameter side of boot to the mounting groove of inner socket boot.
20. Install boot clamp to the small-diameter side of boot.
21. Install boot clamp to the large-diameter side of boot.

### NOTE:

Do not reuse boot clamp.

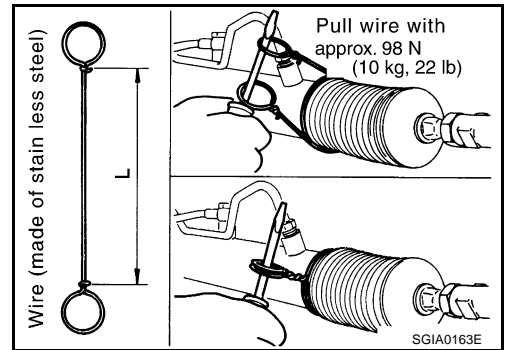


# POWER STEERING GEAR

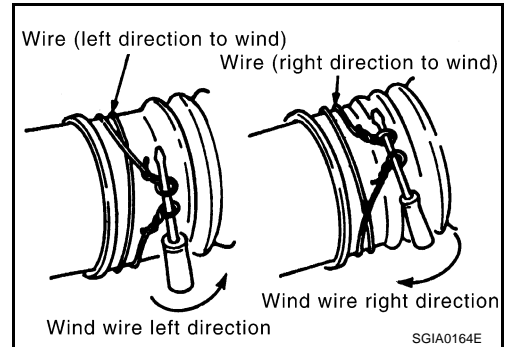
- a. Tighten large-diameter side of RH/LH boot with boot clamp (stainless wire).

**Wire length "L" : 370 mm (14.57 in)**

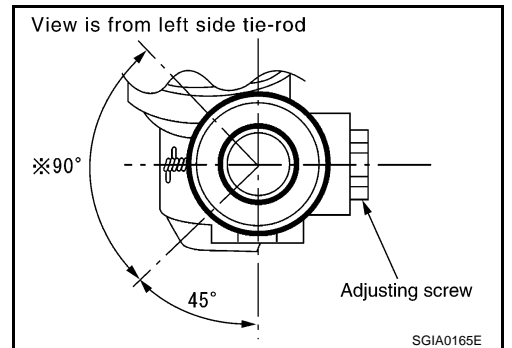
- b. After wrapping clamp around boot groove for two turns, insert screwdriver in loop on both ends of wire. Twist 4 to 4.5 turns while pulling with a force of approx. 98 N (10 kg, 22.1 lb).



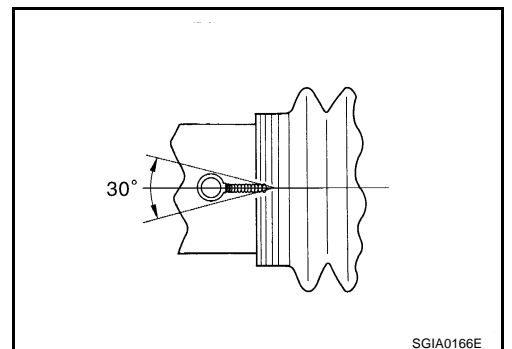
- c. Twist boot clamp as shown in the figure, pay attention to relationship between winding and twisting directions.



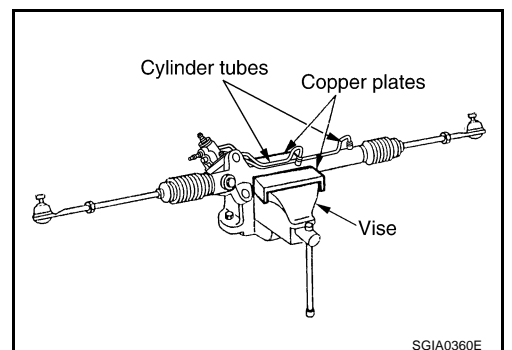
- d. Confirm the twisted point with clamp faces in the opposite direction to adjusting screw within 30° as shown in the figure.



- e. After twisting wire 4 to 4.5 turns, bend cut end of wire. Cut end of wire should not touch boot. Be sure wire end is at least 5 mm (0.20 in) away from clearance for tube.



22. Install cylinder tubes to gear housing assembly.



A  
B  
C  
D  
E  
F  
PS  
H  
I  
J  
K  
L  
M

## POWER STEERING GEAR

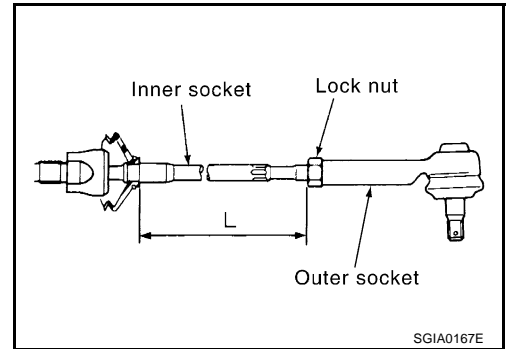
23. Tighten lightly outer socket in specified length "L", then tighten lock nut at specified torque. Refer to [PS-22, "Component"](#) . Reconfirm if outer socket length is within limit of specified length "L".

**Inner socket length "L"    2WD    : 106.3 mm (4.19 in)**

**AWD    : 102.7 mm (4.04 in)**

**CAUTION:**

**Perform toe-in adjustment after this procedure. Length achieved after toe-in adjustment is not necessarily value given here.**



# POWER STEERING OIL PUMP

## POWER STEERING OIL PUMP

PFP:49110

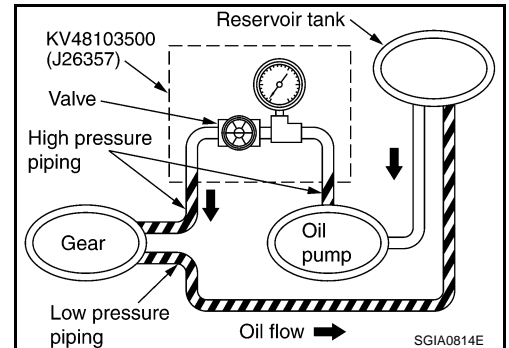
### On-Vehicle Inspection and Service CHECKING RELIEF OIL PRESSURE

AGS0000H

#### CAUTION:

Before starting work, confirm belt tension is proper.

1. Connect oil pressure gauge (SST) and oil pressure gauge adapter (SST) between oil pump discharge connector and high pressure hose and then bleed air from the hydraulic circuit.

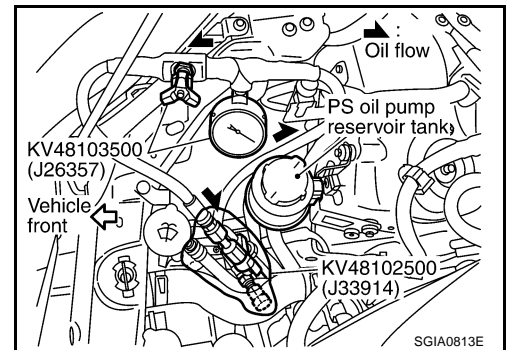


2. Start engine. Allow engine to run until tank temperature reaches 50 to 80°C (122 to 176°F).

#### CAUTION:

- Warm up engine with shut-off valve fully opened. If engine is started with shut-off valve closed, fluid pressure in power steering pump increase to maximum. This will raise fluid temperature excessively.
- Be careful not to contact hose with belt when engine is started.

3. With engine at idle, close shut-off valve and read the relief oil pressure.



#### Relief oil pressure specification:

**9,600 - 10,200 kPa (97.9 - 104 kg/cm<sup>2</sup> , 1,392 - 1,479 psi)**

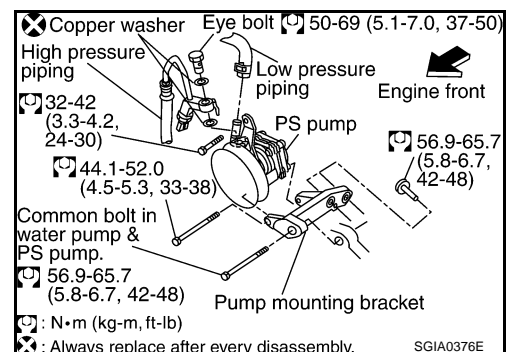
4. After measurement, open shut-off valve slowly.
  - If relief oil pressure is outside the specification, disassemble and repair oil pump. Refer to [PS-32, "Disassembly and Assembly"](#) .
5. After inspection, disconnect oil pressure gauge (SST) and oil pressure gauge adapter (SST) from hydraulic circuit, connect oil pump discharge connector and high pressure hose. Add fluid and bleed air from hydraulic circuit thoroughly. Refer to [PS-7, "Air Bleeding Hydraulic System"](#) .

## Removal and Installation

### REMOVAL

AGS0000I

1. Remove engine cover.
2. Remove air cleaner box.
3. Drain water from radiator upper tank, then remove radiator upper hose.
4. Remove radiator fan shroud. Refer to [CO-21, "COOLING FAN"](#) .
5. Loosen idler pulley, then remove belt.
6. Drain power steering fluid from reservoir tank.
7. Remove piping of high pressure and low pressure (drain fluid from their pipings)
8. Remove bolt common to water pump and power steering pump.
9. Remove bolt then remove power steering pump.



# POWER STEERING OIL PUMP

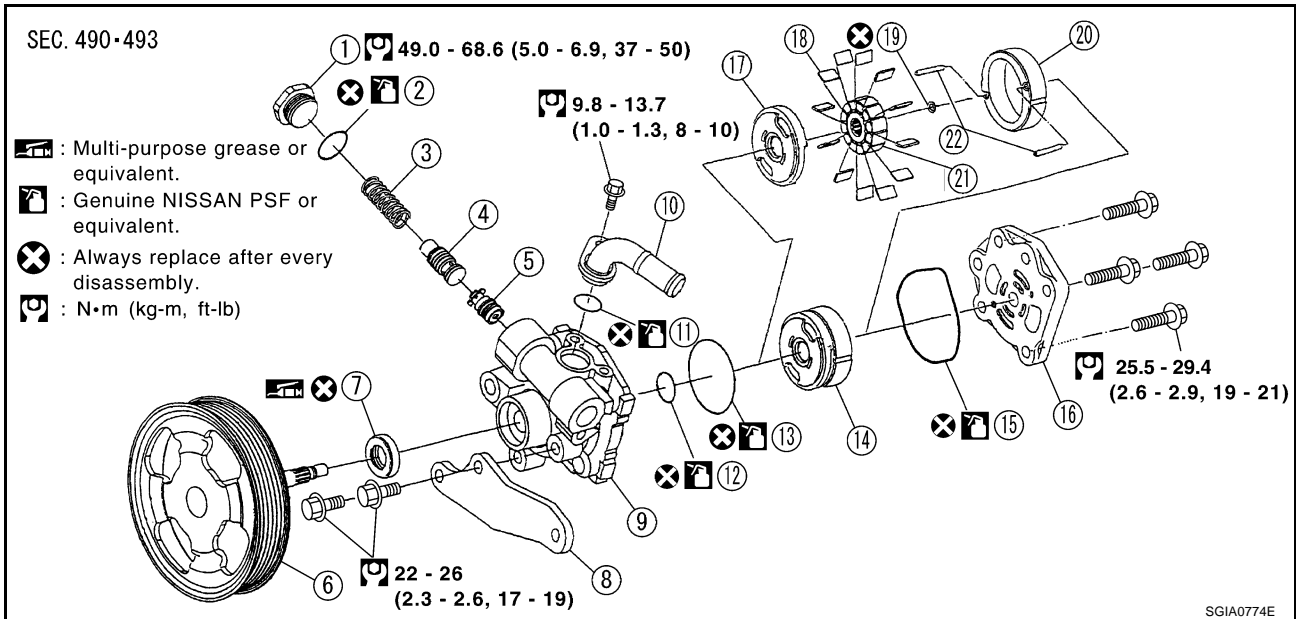
## INSTALLATION

Refer to [PS-36, "HYDRAULIC LINE"](#) for tightening torque. Install in the reverse order of removal.

- After installation, adjust belt tension. Refer to [EM-15, "DRIVE BELTS"](#).
- After installation, bleed air. Refer to [PS-7, "Air Bleeding Hydraulic System"](#).

## Disassembly and Assembly

AGS000J

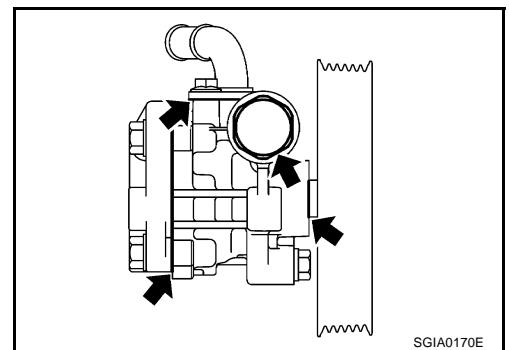


- |                                |                                |                              |
|--------------------------------|--------------------------------|------------------------------|
| 1. Plug                        | 2. O-ring D                    | 3. Flow control valve spring |
| 4. Relief valve assembly       | 5. Flow control valve assembly | 6. Shaft kit                 |
| 7. Oil seal                    | 8. Bracket                     | 9. Body assembly             |
| 10. Suction connector assembly | 11. O-ring E                   | 12. O-ring C                 |
| 13. O-ring B                   | 14. Cartridge assembly         | 15. O-ring A                 |
| 16. Cover assembly             | 17. Side plate                 | 18. Vane                     |
| 19. Rotor snap ring            | 20. Cam ring                   | 21. Rotor                    |
| 22. Dowel pin                  |                                |                              |

## INSPECTION BEFORE DISASSEMBLY

Disassemble the power steering oil pump only if following items are found.

- Oil leakage from oil pump
- Deformed or damaged pulley
- Poor performance



## DISASSEMBLY

### NOTE:

Fix oil pump in vise as the occasion demands.

### CAUTION:

**When retaining drive shaft in a vise, always use copper or aluminium plates between vise and shaft.**

1. Unscrew two front bracket bolts and remove bracket from body assembly.
2. Unscrew four cover assembly bolts and remove cover assembly from body assembly.
3. Remove O-ring A from body assembly.

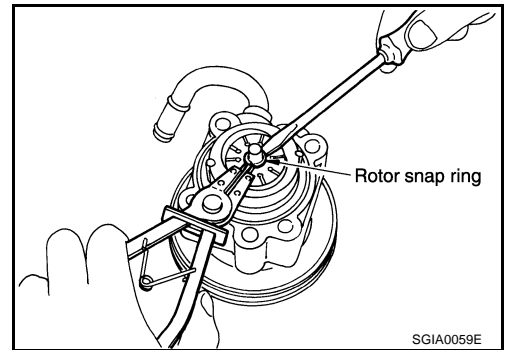


# POWER STEERING OIL PUMP

4. Remove rotor snap ring with snap ring pliers, and remove shaft kit from body assembly.

**CAUTION:**

**When removing rotor snap ring, be careful not to damage pulley shaft of shaft kit.**

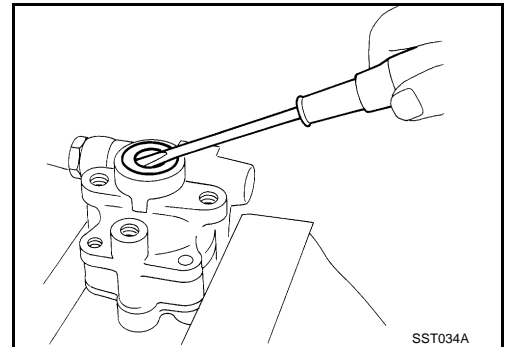


5. Using a screw driver, remove oil seal for body assembly.
6. Remove cam ring, rotor, vane, side plate, O-ring B and O-ring C from body assembly.
7. Remove plug, then remove O-ring D, flow control valve spring, relief valve assembly and flow control valve assembly from body assembly.

**CAUTION:**

**Be careful not to drop and deform relief valve assembly and flow control valve assembly.**

8. Remove fixing bolt of suction connector assembly, then remove suction connector assembly and O-ring E from body assembly.



## INSPECTION AFTER DISASSEMBLY

### Body Assembly and Cover Assembly Inspection

- Check body assembly and cover assembly for damage. If any damage is found, replace with new part for cover assembly, and replace with new power steering pump assembly for body assembly.

### Cartridge Assembly Inspection

- Check cam ring, side plate, rotor and vanes for damage. If any damage is found, replace cartridge assembly with new one.

### Relief Valve Assembly Inspection

- Check relief valve assembly for damage. If any damage is found, replace it with new one.

### Flow Control Valve Assembly Inspection

- Check flow control valve assembly for damage. If any damage is found, replace it with new one.

## ASSEMBLY

**NOTE:**

Fix oil pump in vise as occasion demands.

**CAUTION:**

**When retaining drive shaft in a vise, always use copper or aluminum plates between vise and shaft.**

1. Apply a coat of Multi-purpose grease or equivalent to oil seal lip and to the circumference of oil seal. Using proper tool such as hand press machine, install it to the body assembly.

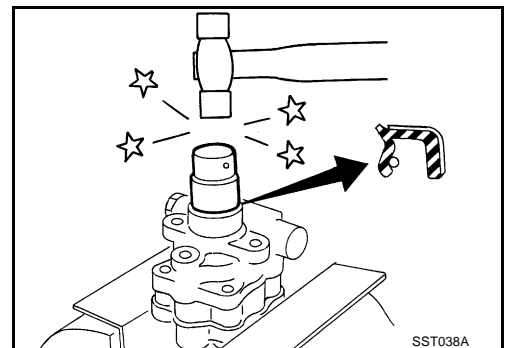
**NOTE:**

Do not reuse oil seal.

2. Install shaft kit to body assembly.
3. Apply a coat of NISSAN PSF or equivalent to O-ring B and O-ring C, then install O-ring B and O-ring C to body assembly.

**NOTE:**

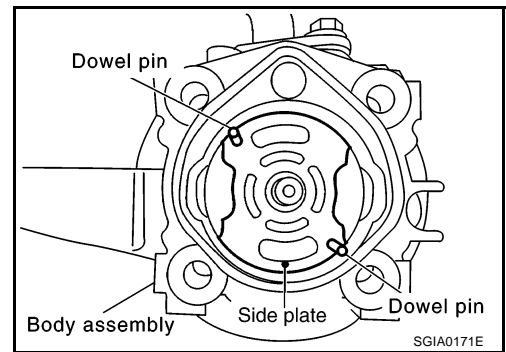
Do not reuse O-ring B and O-ring C.



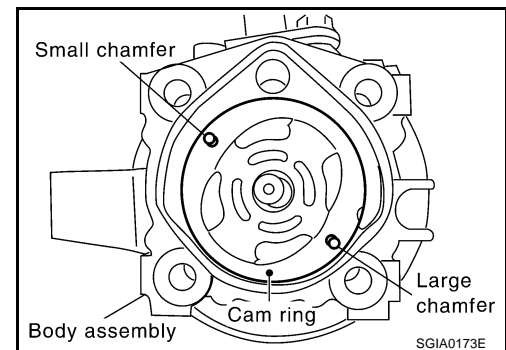
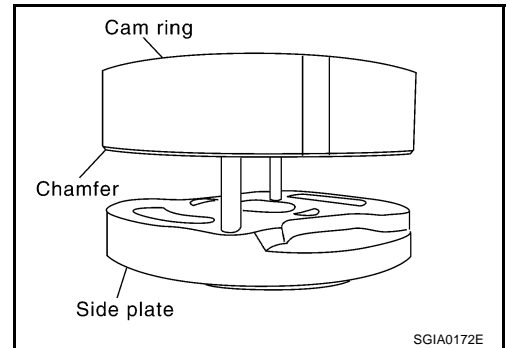
A  
B  
C  
D  
E  
F  
PS  
H  
I  
J  
K  
L  
M

# POWER STEERING OIL PUMP

4. Set dowel pin at the illustration position (The position is the same regardless of right or left direction), and install side plate to body assembly.



5. Install cam ring on side plate as follows;
- Turn chamfered edge side of cam ring to side plate as shown in the figure.
  - Position large chamfered side of cam ring as shown in the figure.



6. Install rotor to shaft of shaft kit (rotor direction is the same regardless of the front and back).
7. Install vane to rotor (vane direction is the same regardless of inside and outside).
8. Install rotor snap ring to shaft of shaft kit.

**NOTE:**

Do not reuse rotor snap ring.

**CAUTION:**

**Be careful not to damage rotor and pulley shaft.**

9. Apply a coat of NISSAN PSF or equivalent to O-ring A, then install O-ring A to body assembly.

**NOTE:**

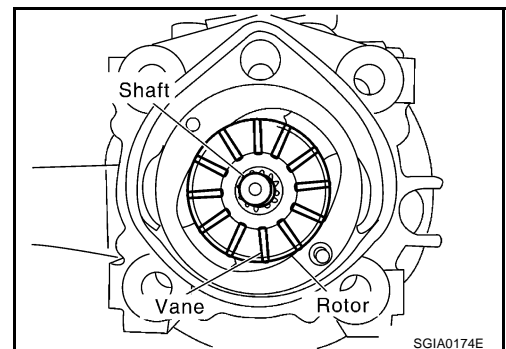
Do not reuse O-ring A.

10. Attach cover assembly to body assembly and tighten fixing bolts diagonally at the specified torque.
11. Install flow control valve assembly, relief valve assembly and flow control valve spring to body assembly.
12. Apply a coat of NISSAN PSF or equivalent to O-ring D and install to plug, then tighten plug at the specified torque.

**NOTE:**

Do not reuse O-ring D.

13. Apply a coat NISSAN PSF or equivalent to O-ring E and install to suction connector assembly, then install suction connector to body assembly.



# POWER STEERING OIL PUMP

---

**NOTE:**

Do not reuse O-ring E.

A

B

C

D

E

F

**PS**

H

I

J

K

L

M

# HYDRAULIC LINE

## HYDRAULIC LINE

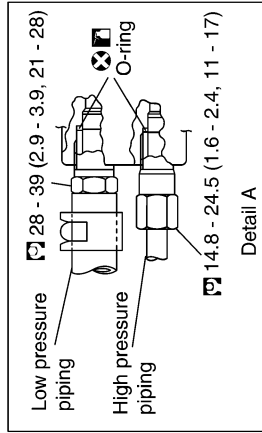
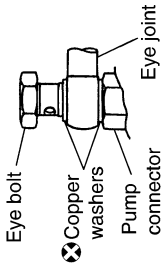
PFP:49721

### Component (Except for 18 Inch Tire Models)

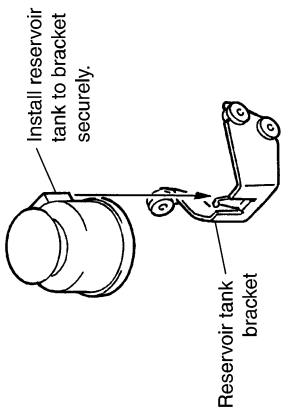
AGS0001N

#### SEC.497

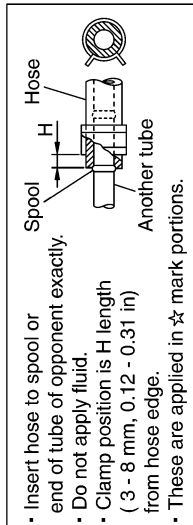
How to install eye joint :  
Bring eye joint contact with installation face of pump connector correctly, tighten eye bolt by hand, then tighten it at specified torque.



3.0 - 3.9 (0.31 - 0.39, 27 - 34)



Reservoir tank installation



Install with position mark facing to return port.

Suction hose

Install with position mark facing to out of vehicle.

Return hose

Tube & hose set

Closing plate

Eye bolt  
50 - 69 (5.1 - 7.0, 37 - 50)

Copper washers

32 - 42  
(3.3 - 4.2, 24 - 30)

PS oil pump

Detail B

44.1 - 52.0  
(4.5 - 5.3, 33 - 38)

56.9 - 65.7  
(5.8 - 6.7, 42 - 48)

3.0 - 3.9 (0.31 - 0.39, 27 - 34)  
Install on upper bracket of rack mounting.

Install with position mark turning to top of vehicle.

Steering gear assembly

Connect pressure sensor to opponent harness connector securely.

Side member

Engine side bracket



☆ : N·m (kg-m, ft-lb)

☞ : N·m (kg-m, in-lb)

★ : Apply Genuine Nissan PSF or equivalent.

⊗ : Always replace after every disassembly.

SGIA0734E

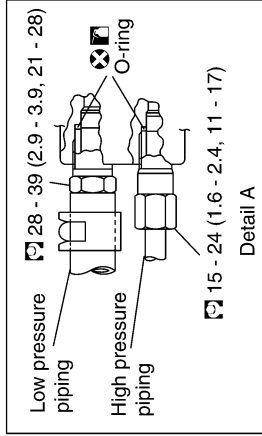
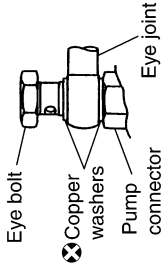
## Component (18 Inch Tire Models)

AGS000PQ

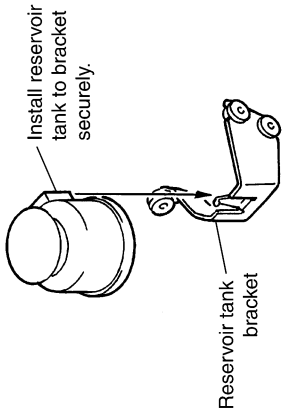
A  
B  
C  
D  
E  
F  
PS  
H  
I  
J  
K  
L  
M

### SEC.497

How to install eye joint :  
Bring eye joint contact with installation face of pump connector correctly, tighten eye bolt by hand, then tighten it at specified torque.

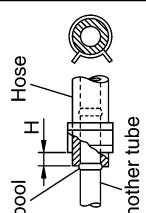


3.0 - 3.9 (0.31 - 0.39, 27 - 34)



Reservoir tank installation

- Insert hose to spool or end of tube of opponent exactly.
- Do not apply fluid.
- Clamp position is H length (3 - 8 mm, 0.12 - 0.31 in) from hose edge.
- These are applied in ☆ mark portions.



Install with position mark facing to return port.

Suction hose

Install with position mark facing to out of vehicle.

Return hose

Tube & hose set

3.0 - 3.9 (0.31 - 0.39, 27 - 34)

3.0 - 3.9 (0.31 - 0.39, 27 - 34)  
Install on upper bracket of rack mounting.

Install with position mark turning to top of vehicle.

PS oil pump  
Connect pressure sensor to opponent harness connector securely.  
Side member  
Closing plate

Eye bolt

50 - 69 (5.1 - 7.0, 37 - 50)

Copper washers

32 - 42 (3.3 - 4.2, 24 - 30)

PS oil pump

Detail B

44.1-52.0 (4.5-5.3, 33-38)

56.9-65.7 (5.8-6.7, 42-48)

56.9-65.7 (5.8-6.7, 42-48) Engine

Vehicle front

☆ :N·m(kg·m,in·lb)

☆ :N·m(kg·m,ft·lb)

☆ :Apply Genuine Nissan PSF or equivalent.

☆ :Always replace after every disassembly.

SGIA0737E

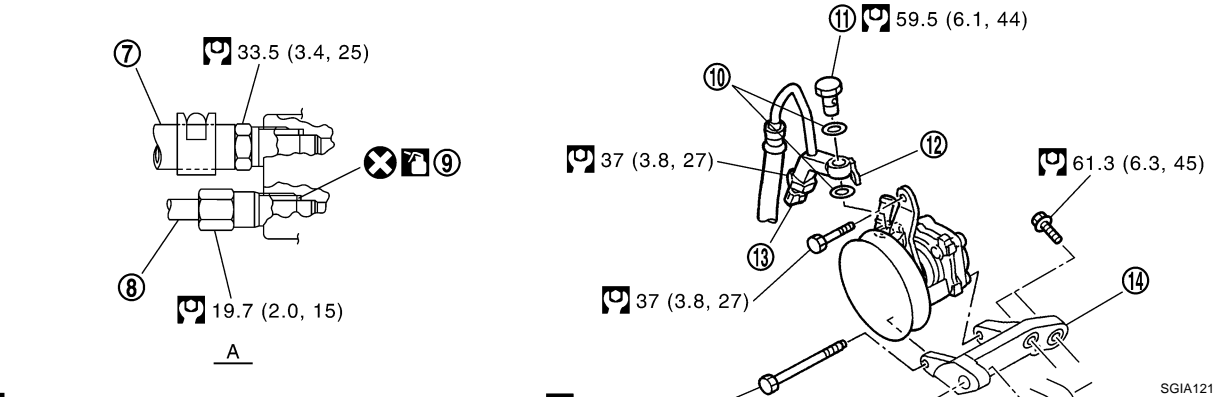
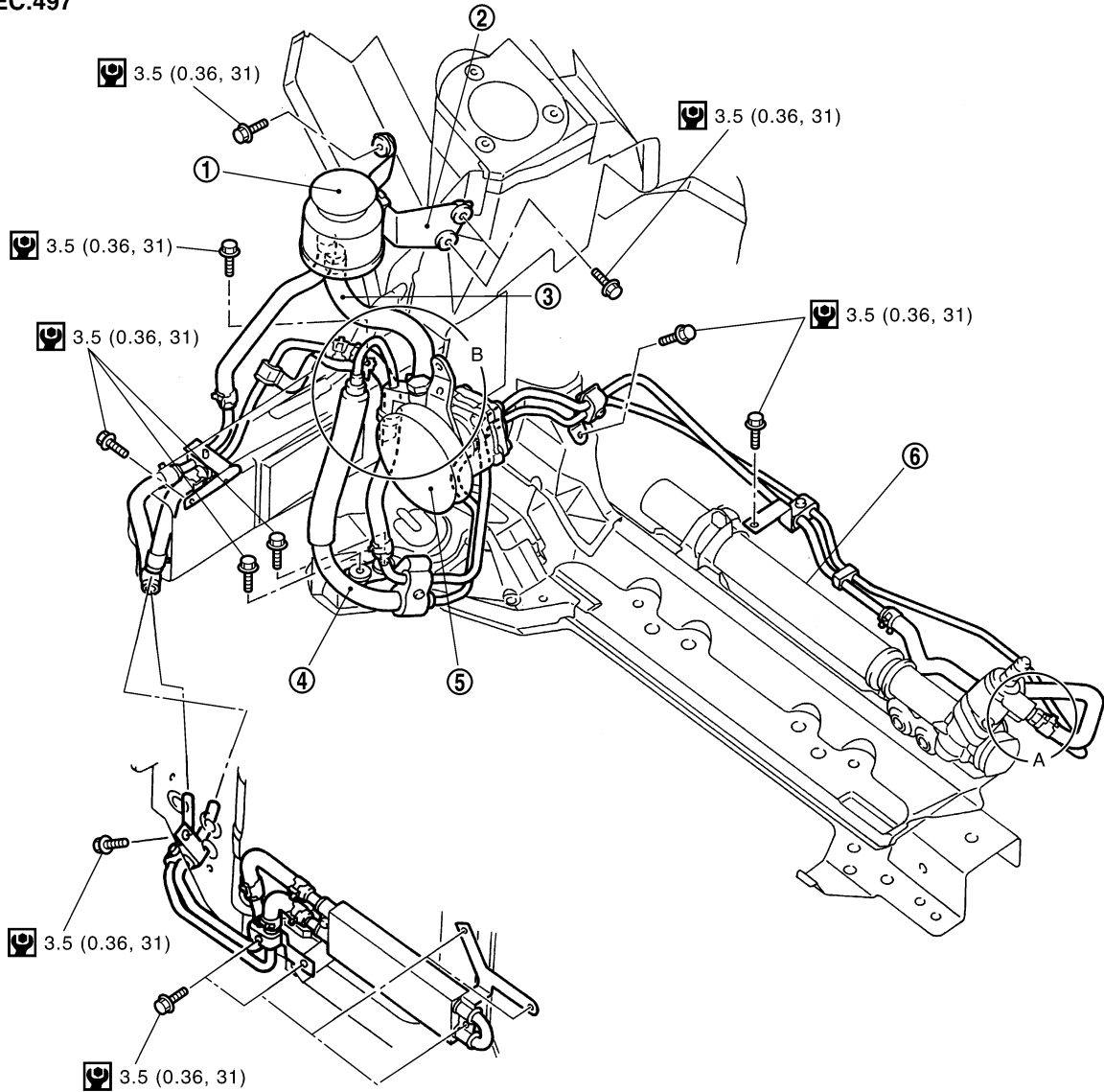
# HYDRAULIC LINE

AGS000IF

## Component (AWD Models)

**CAUTION:**  
Securely insert harness connector to pressure sensor.

SEC.497



SGIA1218E

- |                        |                           |                           |
|------------------------|---------------------------|---------------------------|
| 1. Reservoir tank      | 2. Reservoir tank bracket | 3. Suction hose           |
| 4. High pressure hose  | 5. Oil pump assembly      | 6. Steering gear assembly |
| 7. Low pressure piping | 8. High pressure piping   | 9. O-ring                 |

# HYDRAULIC LINE

10. Copper washer

11. Eye-bolt

12. Eye-joint (assembled to high-pressure side hose)

13. Pressure sensor

14. Oil pump bracket

A

B

C

D

E

F

PS

H

I

J

K

L

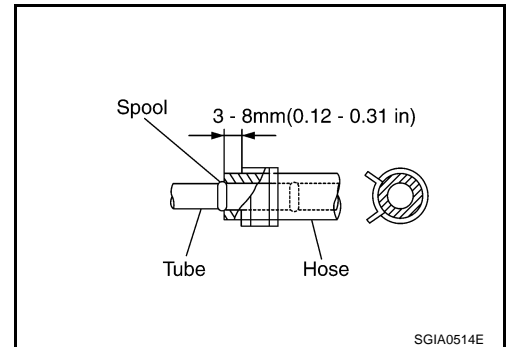
M

## Removal and Installation

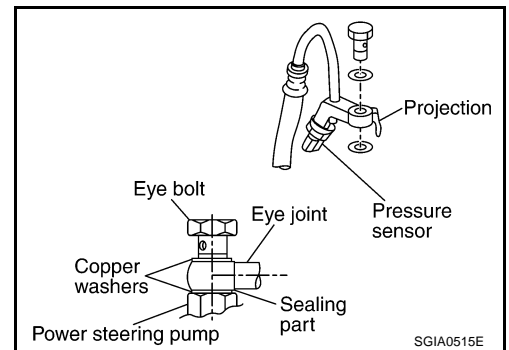
- Insert hose securely until it contacts tube spool.

**CAUTION:**  
**Do not apply fluid.**

AGS000PR



- Install eye-bolt with eye-joint (assembled to high-pressure hose) protrusion facing with pump side cutout, and then tighten it to the specified torque after tightening by hand.



# SERVICE DATA AND SPECIFICATIONS (SDS)

## SERVICE DATA AND SPECIFICATIONS (SDS)

PFP:00030

### Steering Wheel

AGS0000K

End play of the direction for steering wheel	0 mm (0 in)
Steering wheel play on the outer circumference	0 - 35 mm (0 - 1.38 in)

### Steering Angle

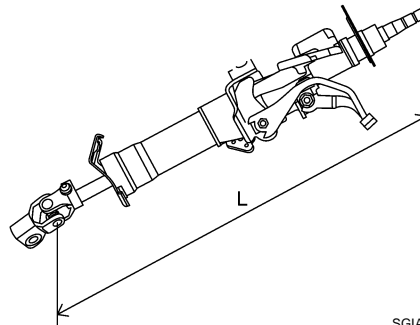
AGS0000L

Drive type		2WD		AWD
Tire		215/55R17	235/45R18	215/55R17
Inner wheel (Angle: A)	Minimum	37° 30' (37.5°)	35° 35' (35.6°)	38° 00' (38.0°)
	Nominal	40° 30' (40.5°)	38° 35' (38.6°)	41° 00' (41.0°)
	Maximum	41° 30' (41.5°)	39° 35' (39.6°)	42° 00' (42.0°)
Outer wheel (Angle: B)		32° 30' (32.5°)	31° 00' (31.0°)	31° 40' (31.7°)

### Steering Column

AGS0000M

Steering column length "L"	548 mm (21.57 in)
----------------------------	-------------------

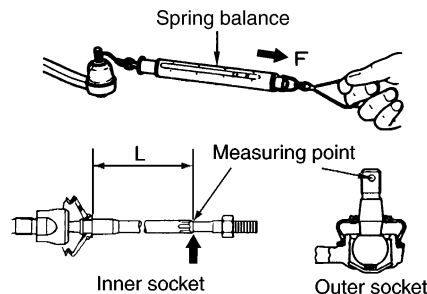


SGIA0556E

### Steering Outer Socket and Inner Socket

AGS0000N

Steering gear type		PR26AD
Outer socket ball joint	Swing torque	0.3 - 2.9 N·m (0.03 - 0.29 kg·m, 3 - 25 in·lb)
	Measurement on spring balance (Measuring point: stud cotter pin hole)	4.42 - 42.7 N (0.5 - 4.4 kg, 1.0 - 10 lb)
	Rotating torque	0.3 - 2.9 N·m (0.03 - 0.29 kg·m, 3 - 25 in·lb)
	Axial end play	0.5 mm (0.02 in) or less
Inner socket ball joint	Swinging torque	1.0 - 7.8 N·m (0.11 - 0.79 kg·m, 9 - 69 in·lb)
	Measurement on spring balance (measuring point: ↓ mark see below)	10 - 78 N (1.0 - 8.0 kg, 2.0 - 18 lb)
	Axial end play	0.2 mm (0.01 in) or less



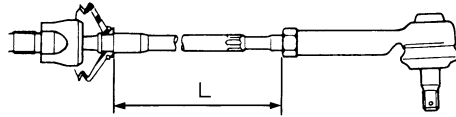
SGIA0493E

Steering gear type	PR26AD
--------------------	--------



# SERVICE DATA AND SPECIFICATIONS (SDS)

Steering gear type		PR26AD
Inner socket length "L"	2WD	106.3 mm (4.19 in)
	AWD	102.7 mm (4.04 in)

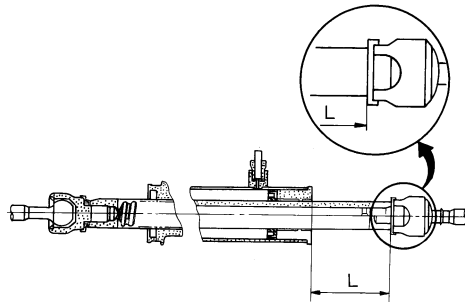


STC1030D

## Steering Gear

AGS00000

Steering gear model	PR26AD		
Drive type	2WD		AWD
Tire	215/55R17	235/45R18	215/55R17
Rack neutral position, dimension "L" (rack stroke)	66.6 mm (2.62 in)	64.5 mm (2.54 in)	66.0 mm (2.6 in)



SGIA0629J

## Oil Pump

AGS0000P

Oil pump relief hydraulic pressure	9,600 - 10,200 kPa (97.9 - 104 kg/cm <sup>2</sup> , 1,392 - 1,479 psi)
------------------------------------	--

## Steering Fluid

AGS0000Q

Fluid capacity	Approx. 1.0 ℓ (1-1/8 US qt, 7/8 Imp qt)
----------------	---

# SERVICE DATA AND SPECIFICATIONS (SDS)

---